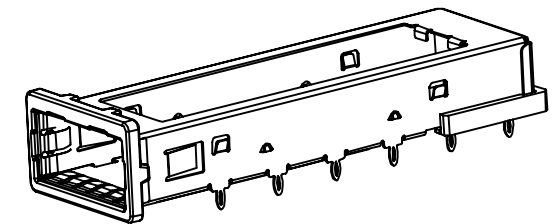
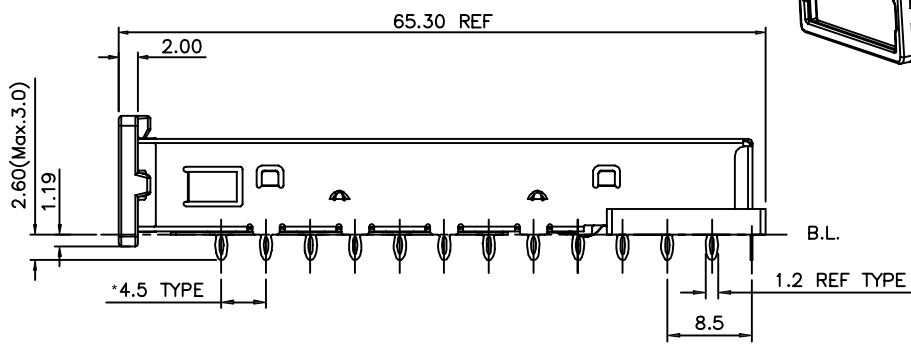
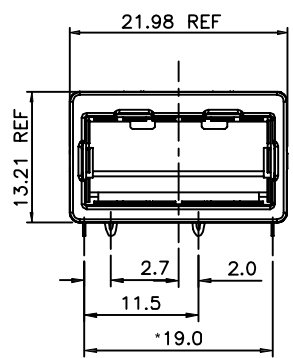
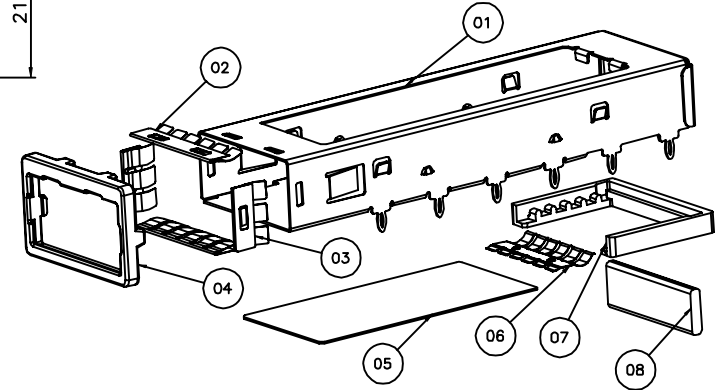
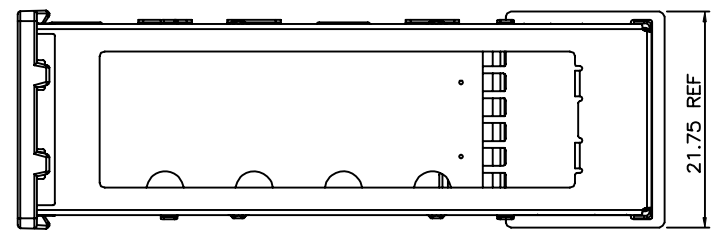


REVISION RECORD				
REV	ECO	DESCRIPTION	DRFT	CHKD



PART NUMBER:XXFP001CA-L				
No.	DESCRIPTION	Q'ty	MATERIAL	PLATING
01	CAGE HOUSING	1	COPPER ALLOY	
02	FRONT EMI GASKET/UD	2	COPPER ALLOY	Sn
03	FRONT EMI GASKET/RL	2	COPPER ALLOY	Sn
04	FRONT FLANGE	1	ZINC ALLOY	Ni
05	MYLAR	1		
06	INTERMEDIATE REAR EMI GASKET	1	COPPER ALLOY	Sn
07	LOWER REAR EMI GASKET	1	EMI RUBBER	
08	UPPER REAR EMI GASKET	1	EMI PORON	

DETACHED LISTS	MM (INCH)	DFTO JERRY	DATE 05/15/07
	TOLERANCES EXCEPT AS NOTED	CHKD ANDY	DATE 05/16/07
	MM	MFO	DATE
	.0 ±0.20	APPVL ALANN	DATE 05/18/07
	.00 ±0.15		
.000 ±0.075			
ANGLES ±	MATERIAL :		
	QTY :		
	FINISH :		
	SCALE :		
THIRD ANGLE PROJECTION			

Xmultiple Technologies Inc.	
TITLE	
XFP CAGE	
DRAWING NO. XFP-001	SIZE REV
/PART NO. SEE NOTE	A3 0
DO NOT SCALE DRAWING	SHEET X OF Y

H  
G  
F  
E  
D  
C  
B  
A

8 | 7 | 6 | 5 | 4 | 3 | 2 | 1