

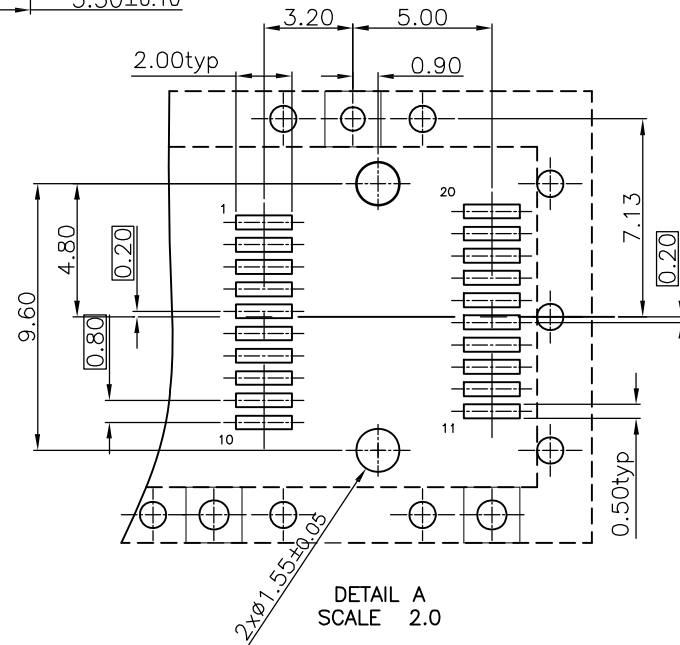
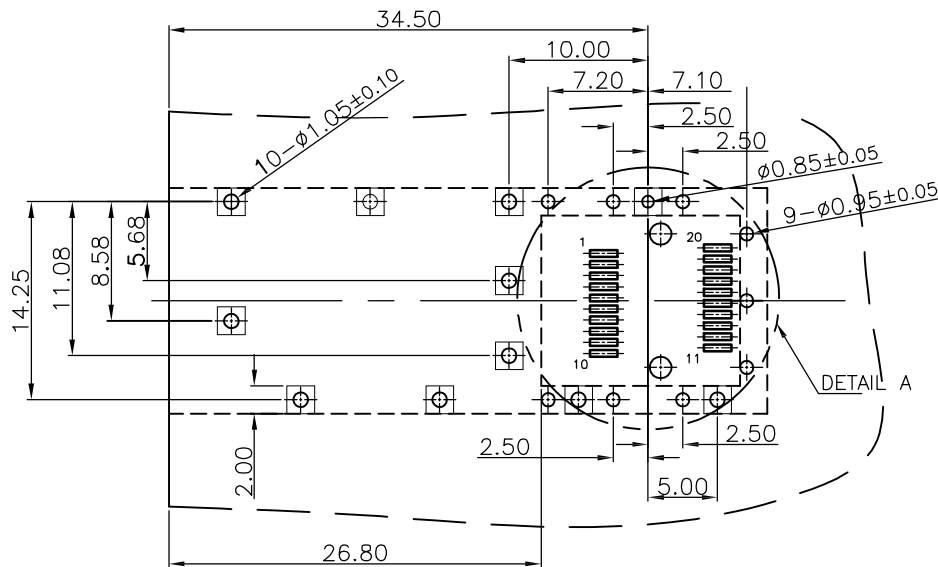
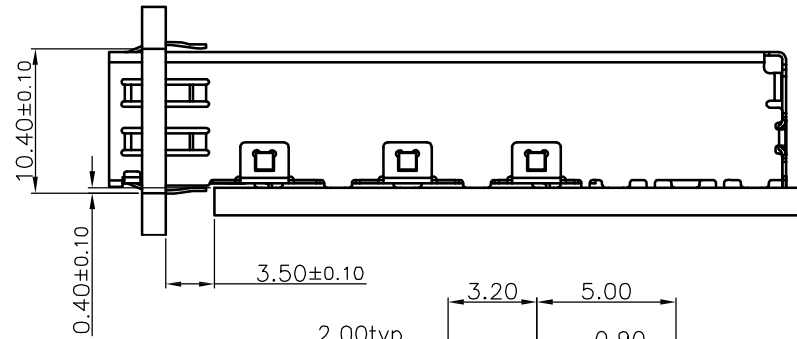
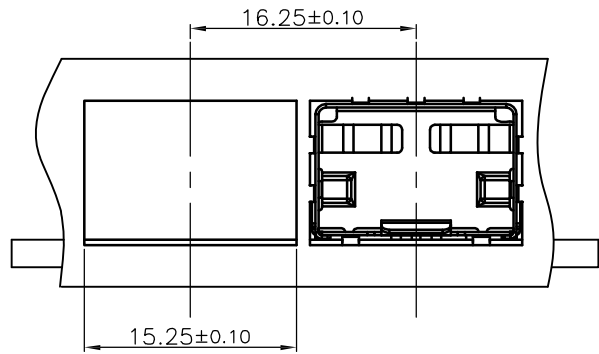
RoHS Compliant

SPECIFICATIONS

MECHANICA:
DURABILITY: 100 CYCLES

PHYSICAL:
CAGE: COPPER ALLOY
PLATING: NO PLATING
OPERATING TEMPERATURE: -55°C TO +85°C

TOLERANCE UNSPECIFIED		X MULTIPLE		CONNECT THE INFORMATION AGE	
.0	±0.25				
.00	±0.13	TITLE: CONNECTOR ASSEMBLY 20 POSITION			
.000	±0.10	SFP, RTANG, 0.8mm			
ANGLE	±3.00°	DRAWN BY	Jim Wang	SIZE: A4	UNIT: mm
MANUFACTURING COPY		PART NO.	XSFP-03-0001-3082		
		CHECKED BY	Ann Yang	SCALE: 1:1	PROJECTION
		DATE	2009.03.25	DWG NO.	REV.: A0
				PATH: E/LKPT001	SHEET
					1 OF 2



SFP PCB LAYOUT

DETAIL A
SCALE 2.0

RoHS Compliant

TOLERANCE UNSPECIFIED		X MULTIPLE		CONNECT THE INFORMATION AGE	
.0	±0.25				
.00	±0.13	TITLE: CONNECTOR ASSEMBLY 20 POSITION			
.000	±0.10	SFP, RTANG, 0.8mm			
ANGLE	±3.00°	SIZE: A4	UNIT: mm	PART NO.	XSFP-03-0001-3082
MANUFACTURING COPY		CHECKED BY	Ann Yang	SCALE: 1:1	PROJECTION
		DATE	2009.03.25	DWG NO.	PATH: E/LKPT001
				SHEET	2 OF 2