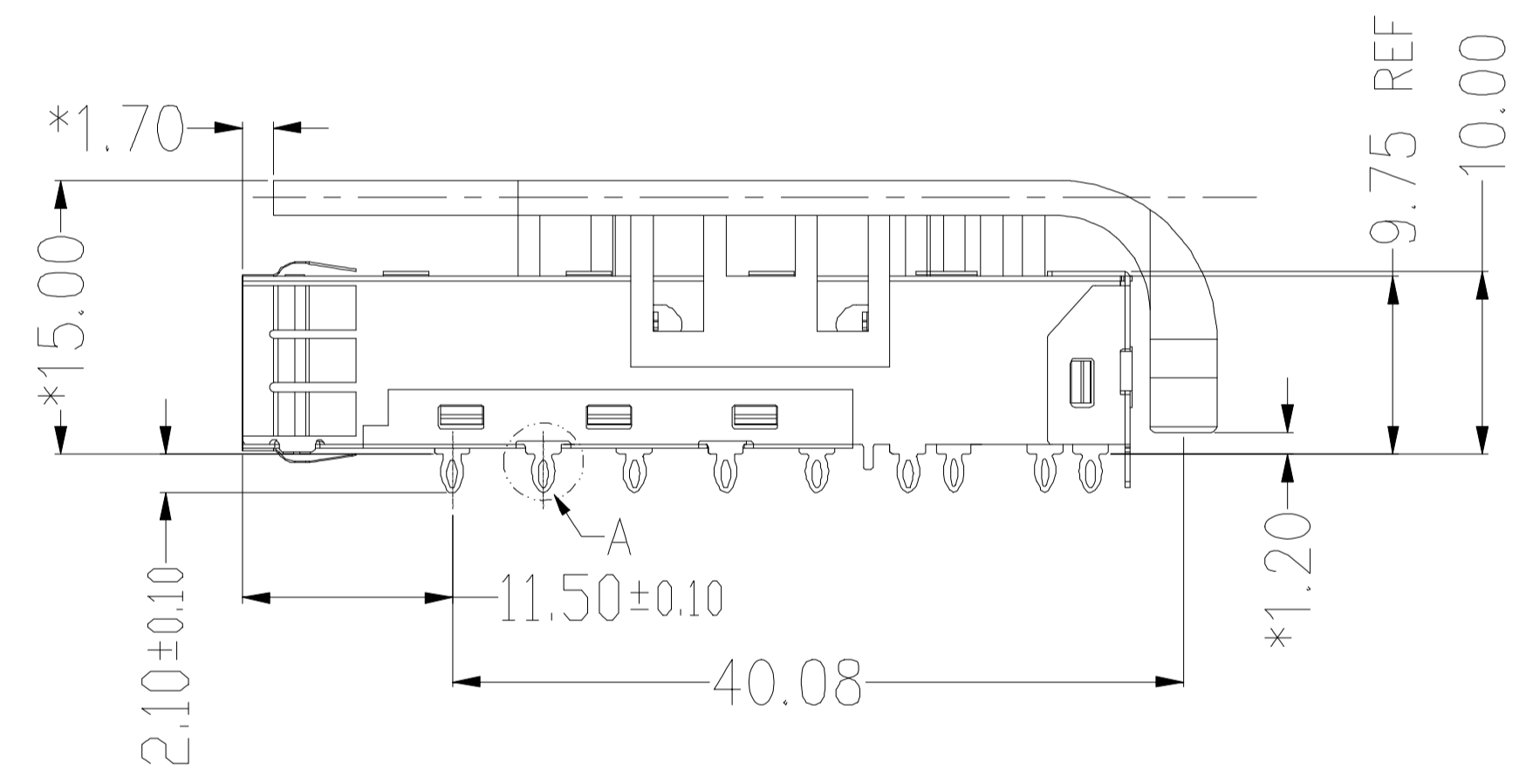
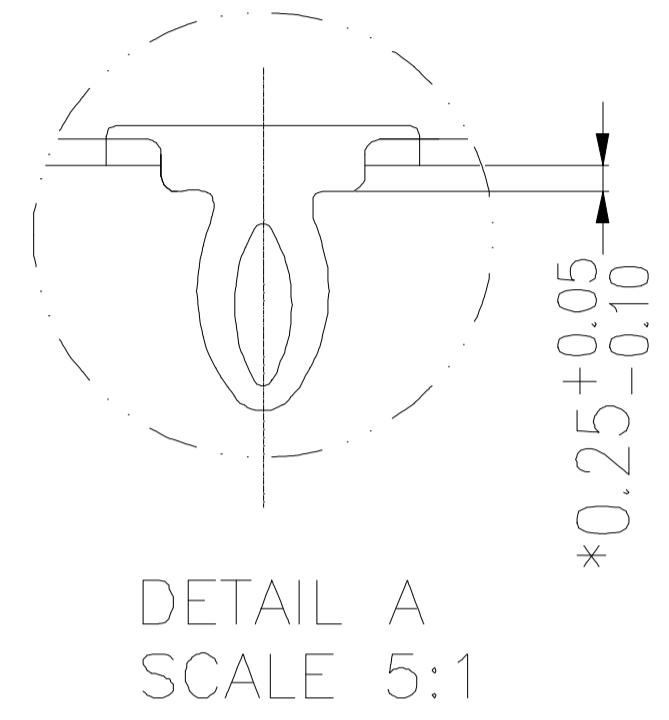
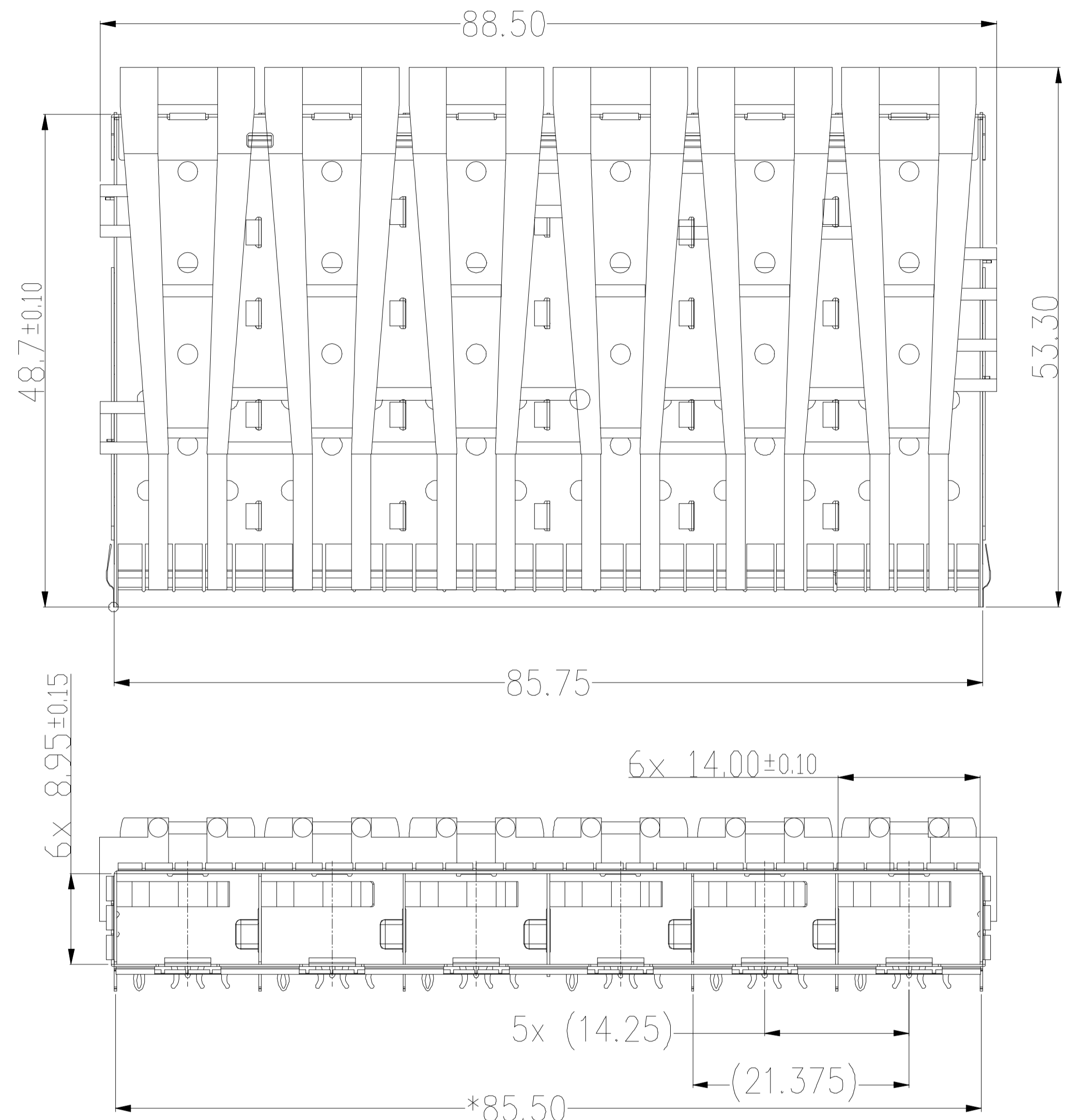


RoHS



NOTE:
 1, DESCRIPTION
 01 SFP CAGE
 02 EMI FINGERS
 03 LIGHTPIPE
 2, TEMPERATURE:
 OPERATION: -40°C~+85°C
 STORAGE: -55°C~+105°C
 3, INSERTION AND EXTRACTION FORCE: 40N MAX & 11.5 MAX
 4, DURABILITY: 100 CYCLES MIN.
 5, ROHS COMPLIANT

DESCRIPTION	MATERIAL	PLATING
01 SFP CAGE	COPPER ALLOY T=0.25	N/A
02 EMI FINGERS	COPPER ALLOY T=0.08	NI FOR ALL
03 LIGHTPIPE	POLYCARBONATE. UL 94V-0 COLOR: CLEAR	N/A



GENERAL TOLERANCE

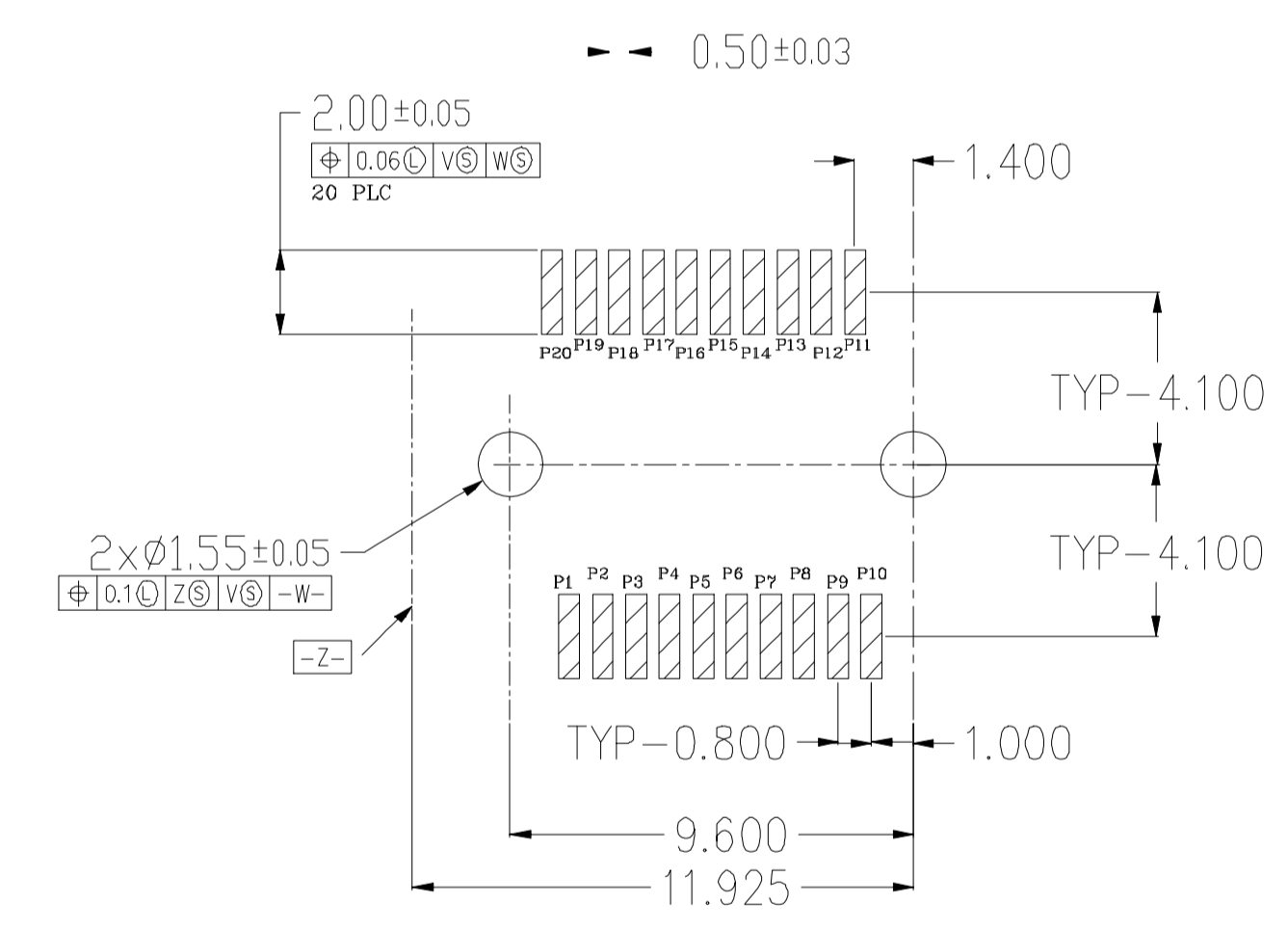
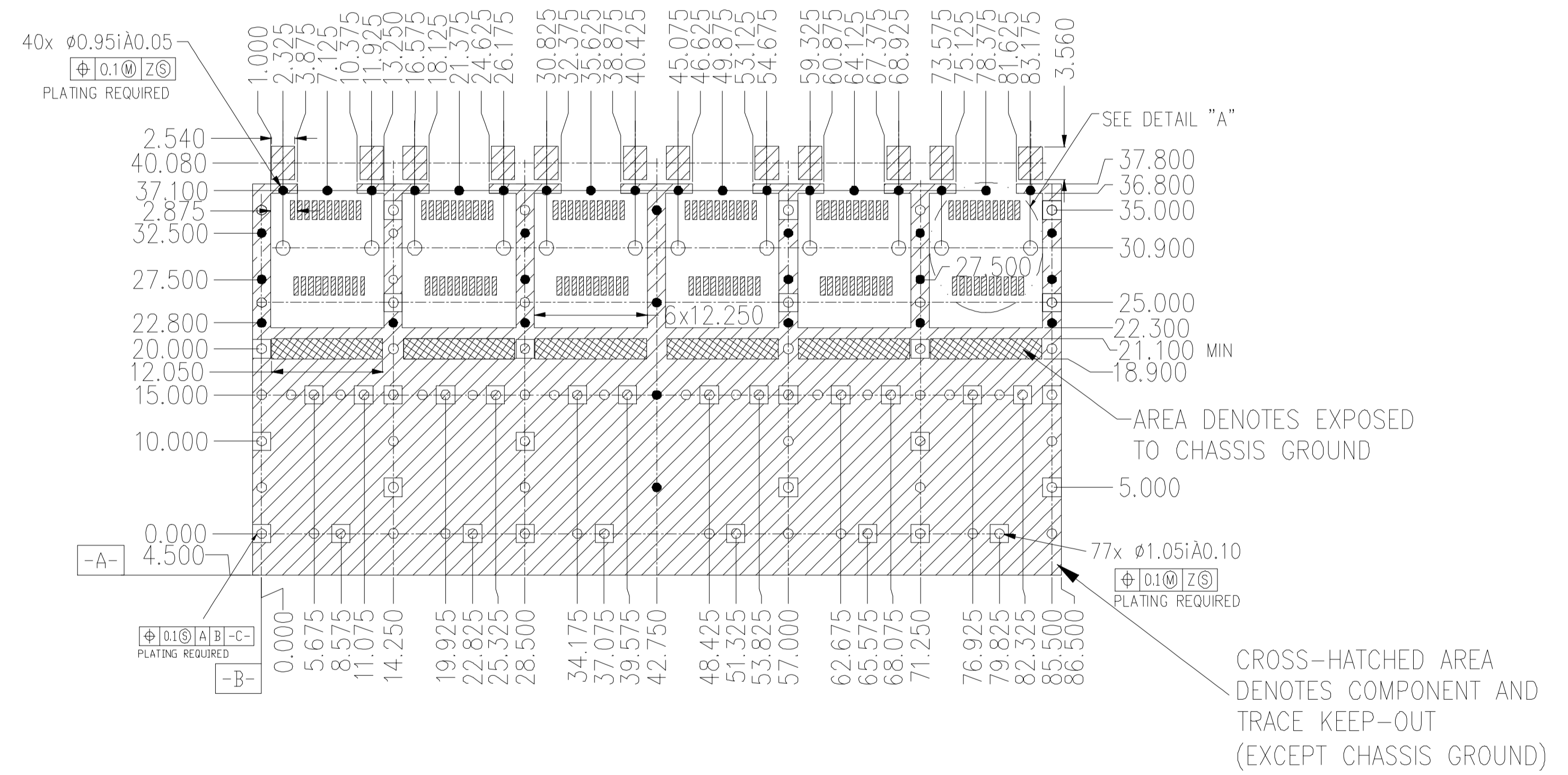
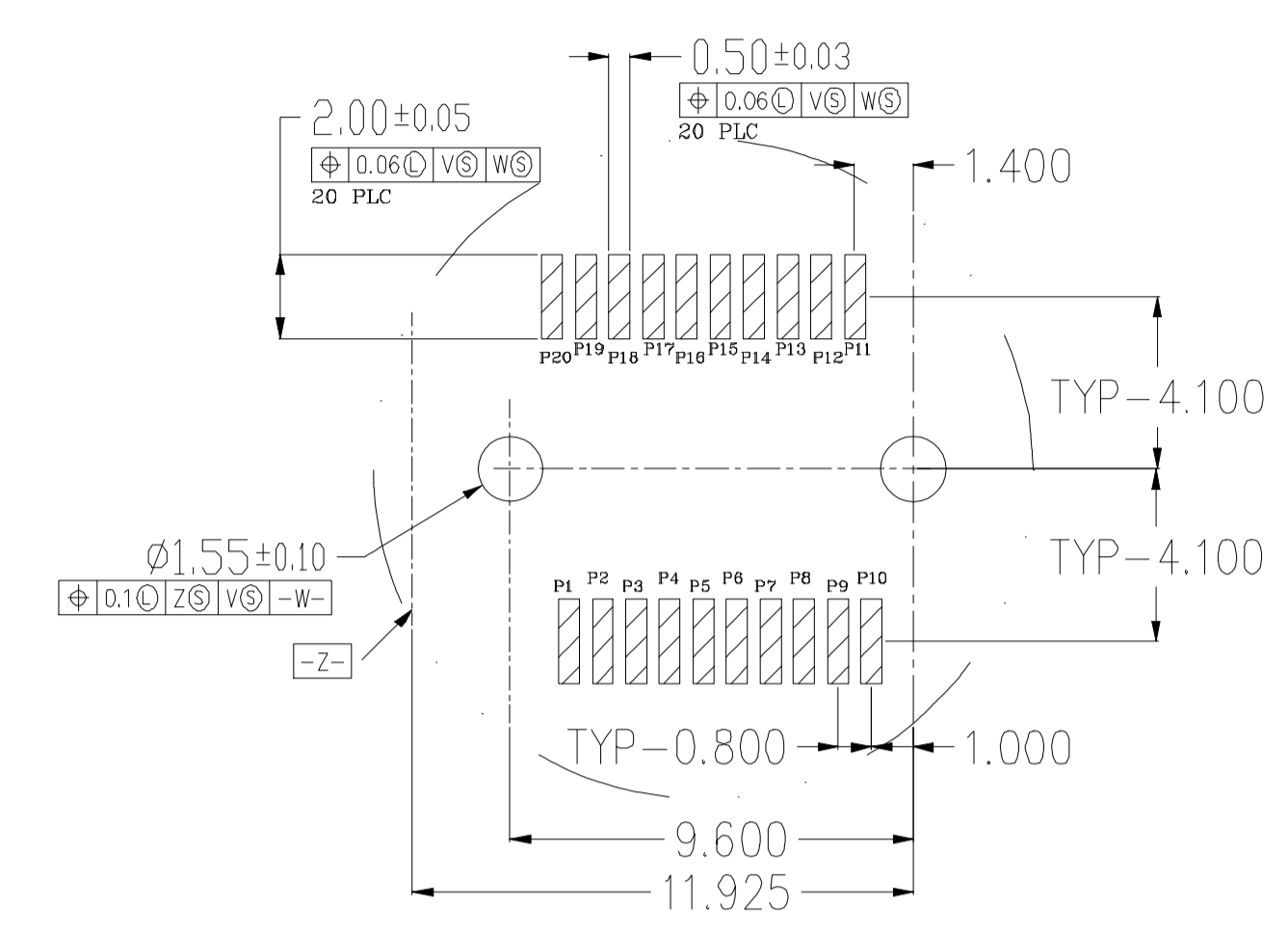
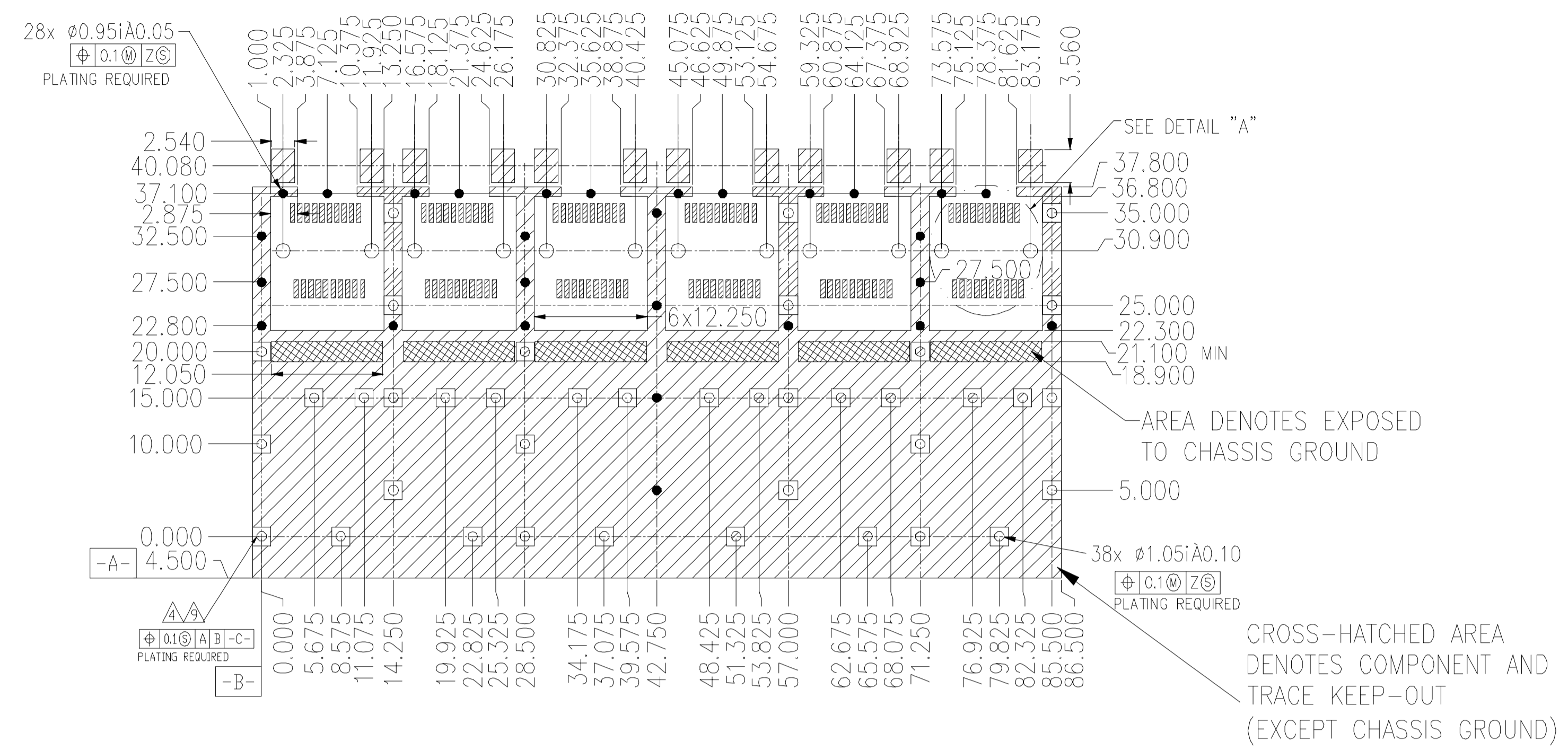
X°±3.0°	X±0.50
.X°±2.0°	.X±0.38
.XX°±1.0°	.XX±0.25
.XXX°±0.5°	.XXX±0.15

DRAWING	MU DU
CHECKED	PAUL WANG
APPROVED	PAUL WANG
DATE	2010/10/12

SFP+ 1*6 CAGE WITH LIGHT PIPE
XSFP-4008-16-38-D-VT1

UNIT	SHEET	REV
mm[inch]	1 of 3	01

RoHS



GENERAL TOLERANCE

$X^\circ \pm 3.0^\circ$	$X \pm 0.50$
$.X^\circ \pm 2.0^\circ$	$.X \pm 0.38$
$.XX^\circ \pm 1.0^\circ$	$.XX \pm 0.25$
$.XXX^\circ \pm 0.5^\circ$	$.XXX \pm 0.15$

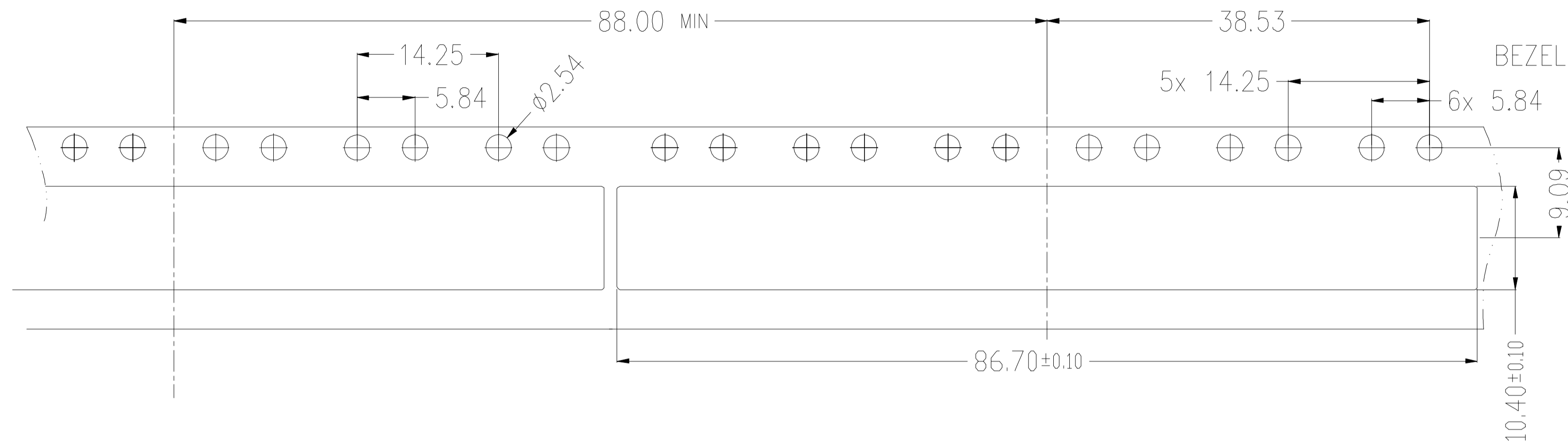
DRAWING	MU DU
CHECKED	PAUL WANG
APPROVED	PAUL WANG
DATE	2010/10/12

SFP+ 1*6 CAGE WITH LIGHT PIPE

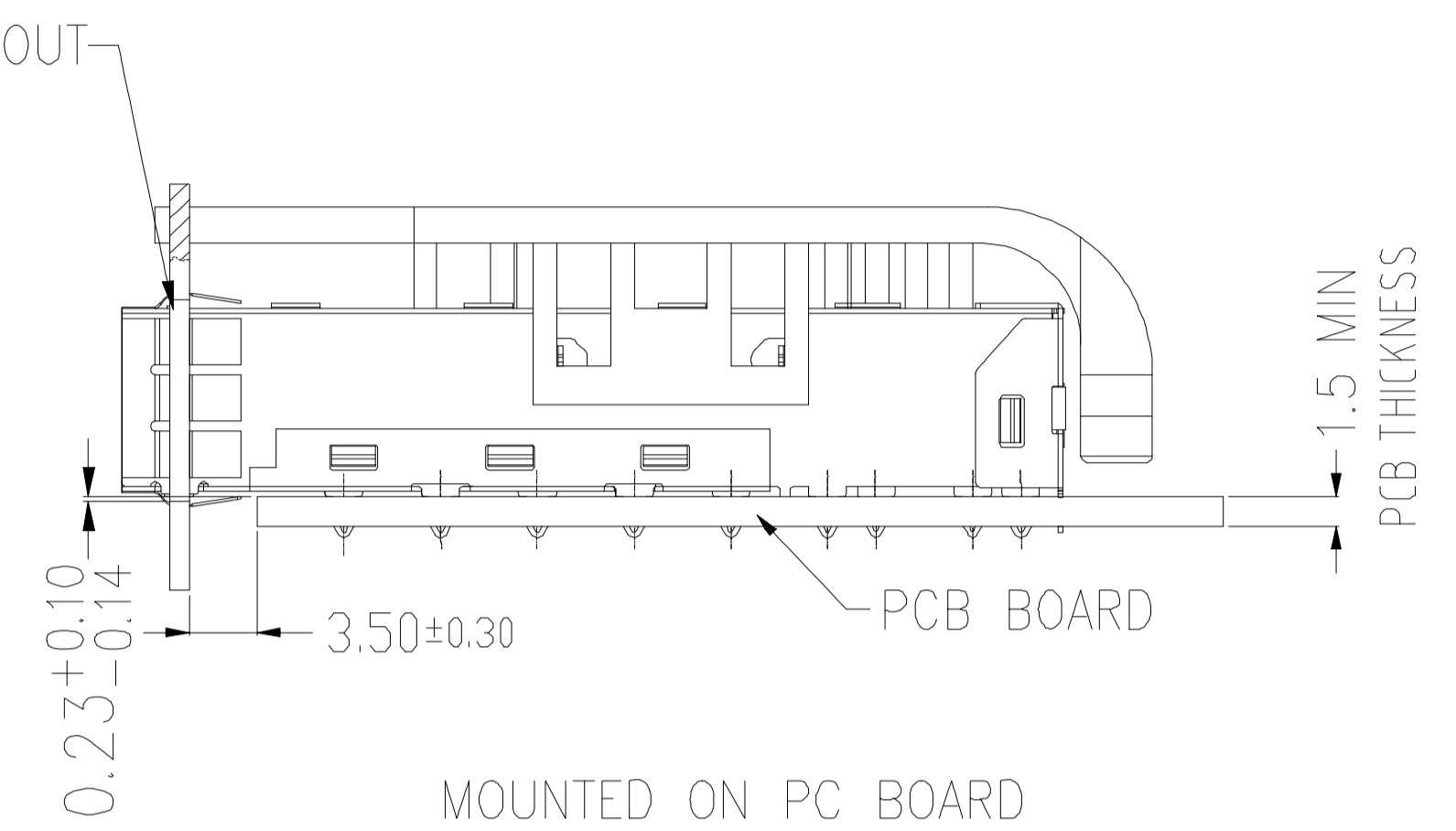
XSFP-4008-16-38-D-VT1

UNIT	SHEET	REV
mm[inch]	2 of 3	01

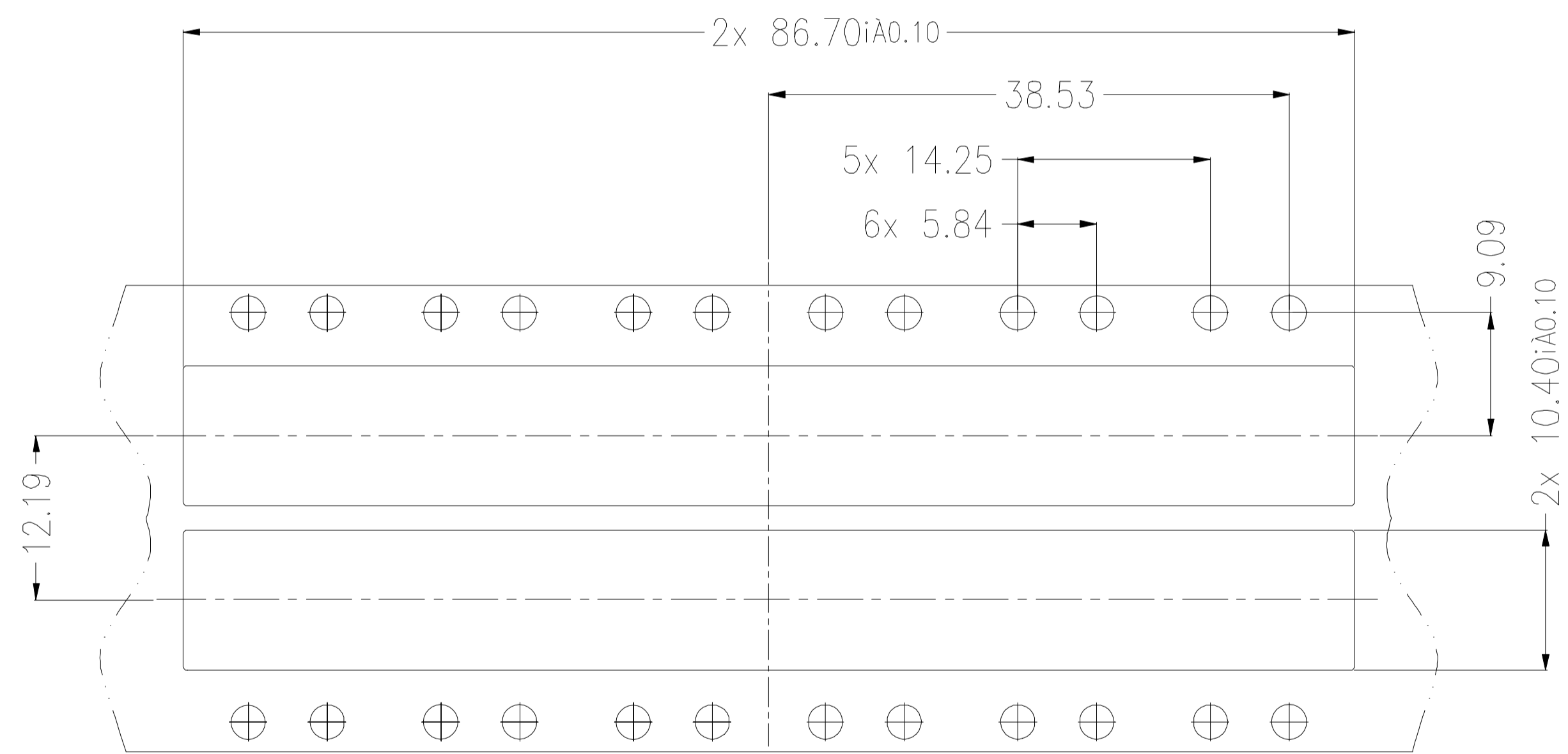
RoHS



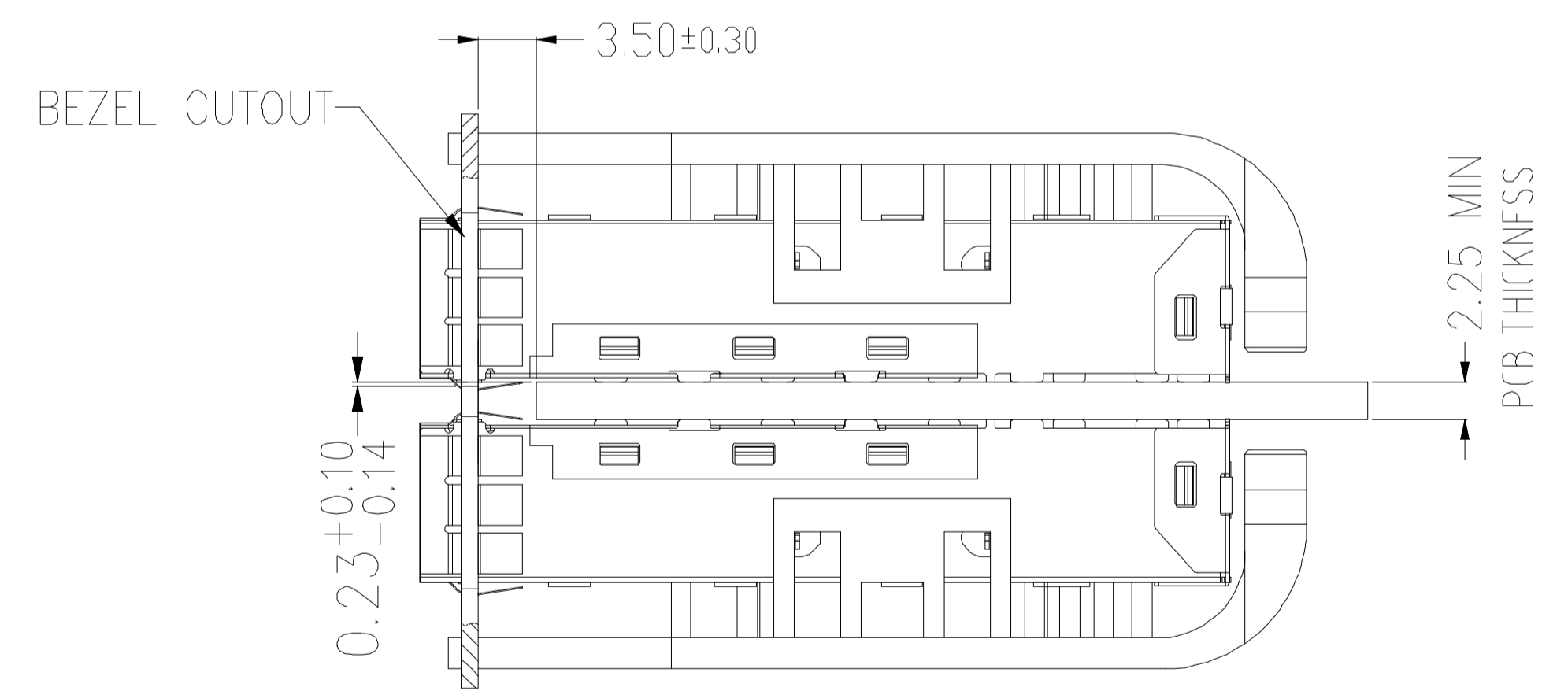
RECOMMENDED BEZEL CUT-OUT SINGLE SIDED APPLICATONS



MOUNTED ON PC BOARD SHOWN THRU RECOMMENDED BEZEL



RECOMMENDED BEZEL CUT-OUT BELLY TO BELLY APPLICATONS



MOUNTED BELLY TO BELLY ON PC BOARD SHOWN THRU RECOMMENDED BEZEL



GENERAL TOLERANCE

$X^{\circ} \pm 3.0^{\circ}$	$X \pm 0.50$
$.X^{\circ} \pm 2.0^{\circ}$	$.X \pm 0.38$
$.XX^{\circ} \pm 1.0^{\circ}$	$.XX \pm 0.25$
$.XXX^{\circ} \pm 0.5^{\circ}$	$.XXX \pm 0.15$

DRAWING	MU DU
CHECKED	PAUL WANG
APPROVED	PAUL WANG
DATE	2010/10/12

SFP+ 1*6 CAGE WITH LIGHT PIPE

XSFP-4008-16-38-D-VT1

UNIT	SHEET	REV
mm[inch]	3 of 3	01