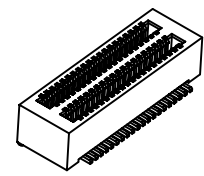


Mating Drawing (Ref)



Specifications:

1. Current Rating : 0.5A AC/DC
2. Voltage Rating : 50V AC/DC
3. Contact Resistance : 30m ohm. max.
4. Insulation Resistance : 100M ohm. min.at 100V DC
5. Withstanding Voltage : 100V AC for one minute
6. Operating Temperature Range : -20°C to +105°C

- Material and Plated
- 1.Housing :High Temp. Plastic (UL94V-0)
Color :White
 - 2.Contact : Phosphor Bronze
 - 3.Plated : Gold Plated

How To Order

2065S-XXG-XXX-020

- 020 Type
- Height XXmm
- G: Gold Plated
- No. Of Positions
- S:Socket

Mating Dimension

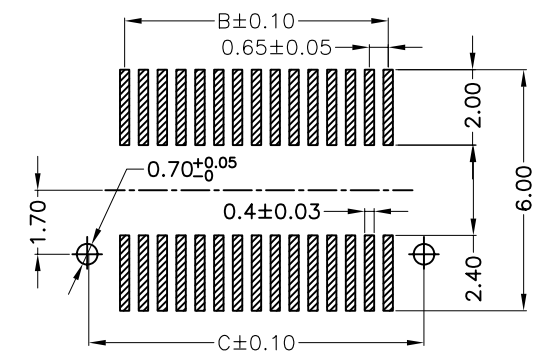
P/N(Plug)	P/N(Socket)	Plug Height Dim A1	Mating Height Dim B1	Mating Height Dim H
2065P-XXG-XXX-020	2065S-XXG-300-020	XXX	3.0	XX
2065P-XXG-XXX-020	2065S-XXG-400-020	XXX	4.0	XX

**Contact Dimension (With Boss)

Contact	DIM. A	DIM. B	DIM. C
20	9.85	5.85	8.65
30	13.10	9.10	11.90
40	16.35	12.35	15.15
50	19.60	15.60	18.40


**Contact Dimension (Without Boss)

Contact	DIM. A	DIM. B
20	9.85	5.85
30	13.10	9.10
40	16.35	12.35
50	19.60	15.60



PCB LAYOUT

RoHS Compliant

				DRAWN: Jeremy Liu	GENERAL TOLERANCE: .X=±0.2 .XX=±0.15		
				CHECKED: Jerry Chen			UNIT: MM
				APPROVAL: Mike Wu	SCALE:1:1	PART NO: 2065S-XXG-XXX-020	SIZE A4
REV	DATE	FILE	BY		SHEET: 1 / 1		
					PROJECTION: 