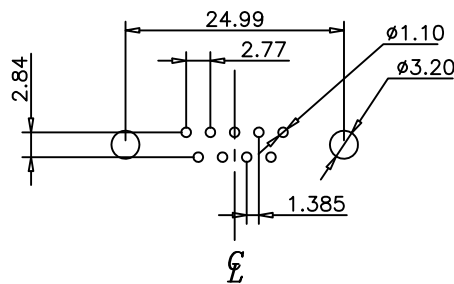
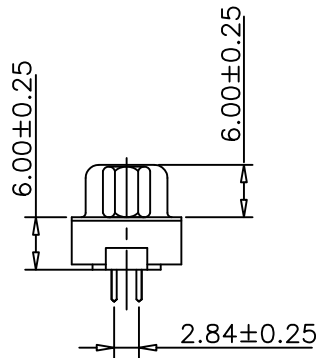
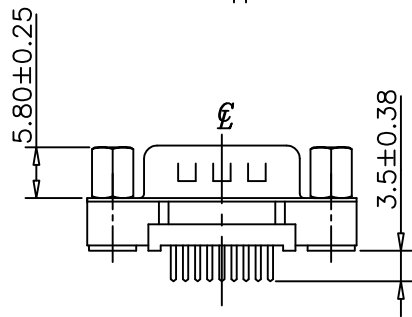
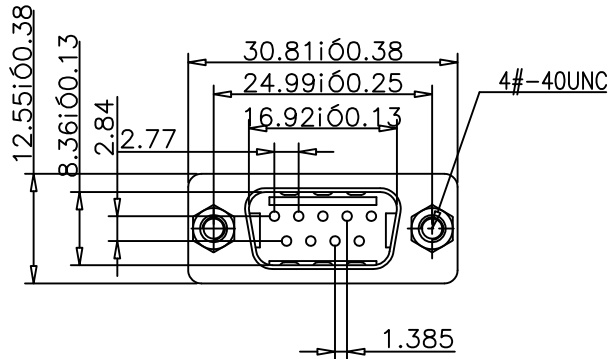


SPECIFICATIONS

1. D-SUB
- 1.1 Voltage: 250 VAC(RMS) Max.
- 1.2 Current Rating: 3 Ampere per Contact
- 1.3 Contact Resistance: 25 Milliohms Max.
- 1.4 Insulation Resistance: 5000 Megohms Min.
- 1.5 Dielectric Withstanding Voltage: 1000 VAC(RMS)
- 1.6 Total Mating Force: 4.0 Kgf Max.
- 1.7 Total Unmating Force: 1.0 Kgf Min.
- 1.8 Operating Temperature: -55°C to +85°C

NOTES

1. MATERIAL:
Housing:PBT, UL 94V-0, Color:Black.
Terminal:Copper Alloy.
Shell:SPCC.
Boardlock:Copper Alloy.
2. FINISH:
Terminal:Gold Plated over Nickel at Contact Area.
Tin Plated over Nickel at Solder Ared.
Shell:Nickel Plated.
Boardlock:Tin Plated.
3. This Product is LEAD-FREE & RoHS Compliance Product.

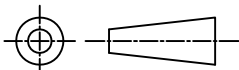


RECOMMENDED P.C.B LAYOUT

GENERAL TOLERANCE

mm:
.00 = ±0.25
.000 = ±0.130
Ang:
0.0 = ±2°

SIZE	DRAWN
A4	Sam
REV.	DATE
0	Oct/13/11



UNIT:mm

DESCRIPTION:

D-Sub connector 9p male PCB straight DIP type with hex screw locks (RoHS)

PRODUCT NO.

XTB-DDI-09PNT-S03SR-SE1

FILE NAME.

XMULTIPLE
Technologies, Inc.