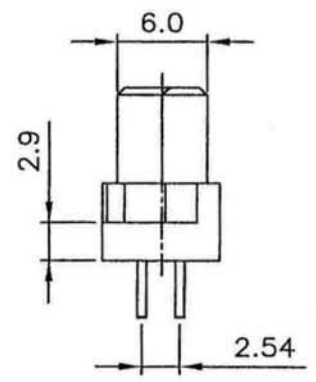


△ SPECIFICATION
 MATERIAL
 Insulator: Thermal Plastic UL94V-0
 Contacts: Copper Alloy
 Shell: Steel
 Rivet, Boardlock: Copper Alloy
 CONTACT PLATING
 Underplate: 50u" Nickel
 Contact Area: Gold
 △△ Solder Tails Area: 100u" Tin/Lead Free

ELECTRICAL
 Operation Voltage: 250 VAC Max.
 Current Rating: 1 Amps Max.
 Contact Resistance: 20 mohms Max.
 Insulation resistance: 1000 Mohms Min @ 500 VDC
 Dielectric Withstanding Voltage: 1000 VAC / Minute
 Temperature Range: -55°C To +125°C



NOTE:

NO.	A	B	C
64	90.00	95	85
32	50.00	54	44

RECOMMENDED P.C.B LAYOUT(TOP VIEW)
 TOLERANCES: ±0.05mm

GENERAL TOLERANCE .X ±0.25 .XX ±0.13	SIZE A4	DRAWN Sam		DESCRIPTION: DIN 41612 B type dual rows connector female type w/o boardlock (RoHS)	PRODUCT NO. XTB-DNB-xxSS1x1SRSE1		
	REV. 0	DATE July/28/11			UNIT:mm		FILE NAME: