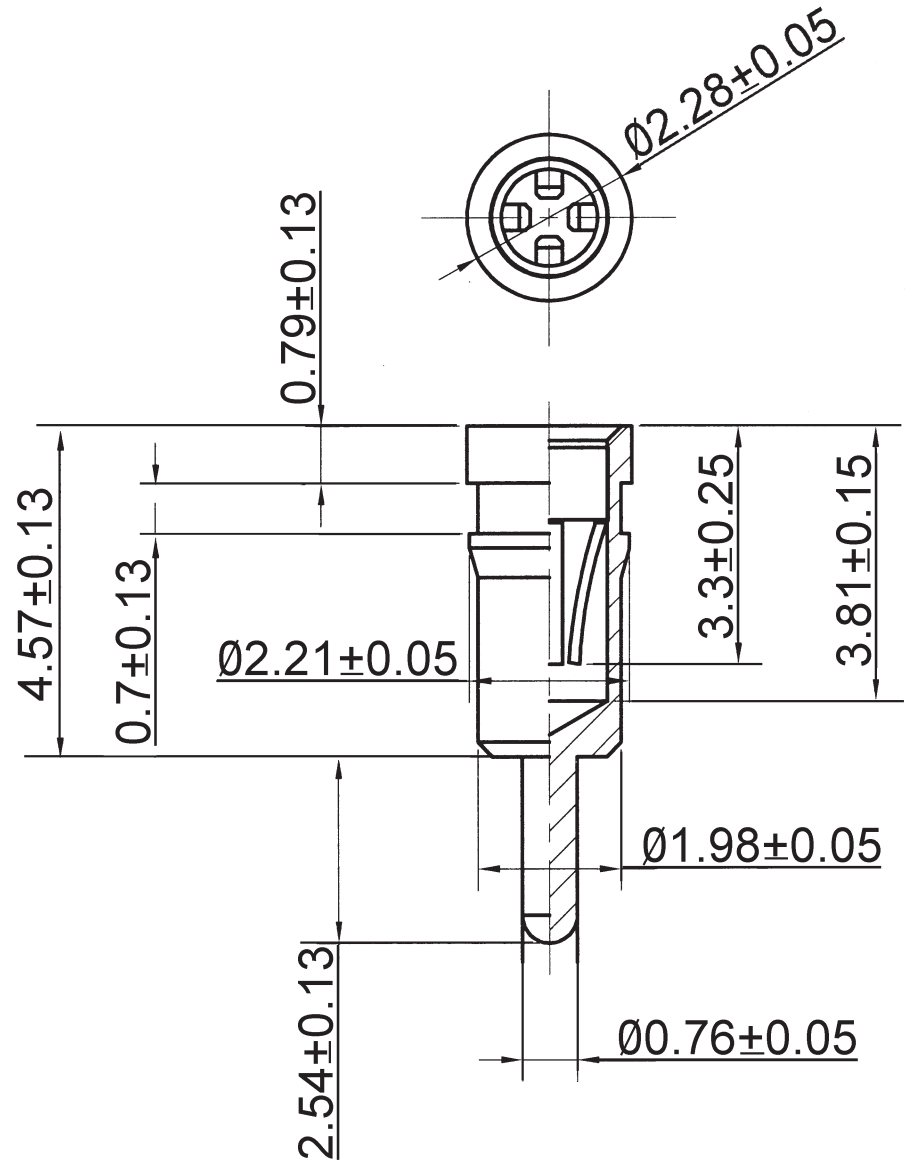


REV.	ECN NO.	DATE
A	Released	09/08/2011
B	0908/11	09/08/2011

Specifications:

Materials:

- * Pin (outer sleeve): Brass, machined
- * Clip (4 finger contact): Beryllium Copper
- * Plating:
 Outer Sleeve: Tin plating
 Contact: 30u" gold



How to Order:

XTB - ICS01 - M7.11 - 4 - x - x - SB1

Contact plating ——— Outer Sleeve plating
 G: gold flash T: Tin
 G15: 15u" gold G: Gold
 G30: 30u" gold

RoHS Compliant

Scale		Drawn by	ANGLIA	XMULTIPLE
Unit	mm	Checked by	Kevin	
Tolerance		Sheet	1 of 1	
.X	± 0.38	Projection		Name: Machined pin, 7.11mm 4 Finger Contacts
.XX	± 0.25			
.XXX	± 0.08			
ANG.	= 2°			
Part number		XTB-ICS01-M7.11-4-x-x-SB1		
Drawing no.		ICS01-M7.11-4-x-x		