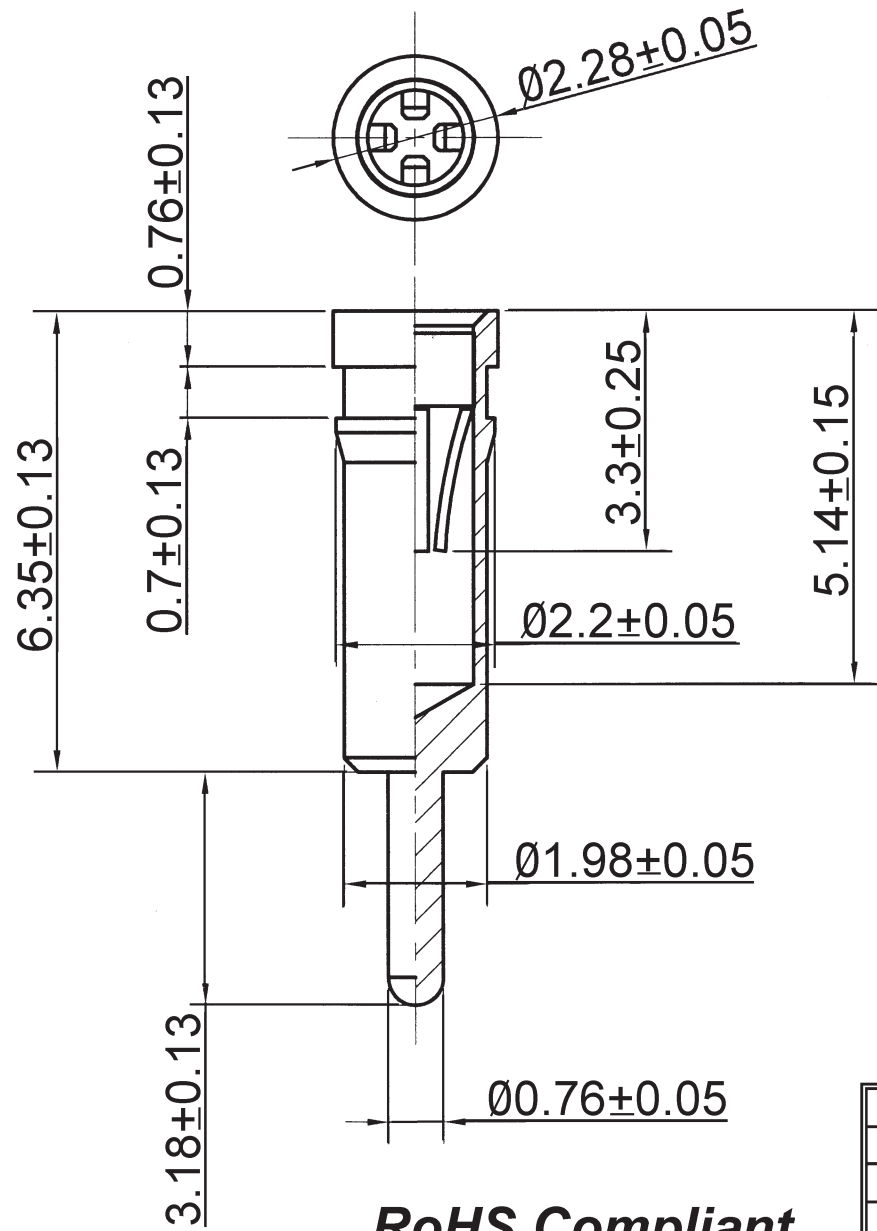


REV.	ECN NO.	DATE
A	Released	09/08/2011



**Specifications:**

**Materials:**

- \* Pin (outer sleeve): Brass, machined
- \* Clip (4 finger contact): Beryllium Copper
- \* Plating:  
 Outer Sleeve: Tin plating  
 Contact: 30u" gold

How to Order:

XTB - ICS01 - M9.53 - 4 - x - x - SB1

Contact plating  
 G: gold flash  
 G15: 15u" gold  
 G30: 30u" gold

Outer Sleeve plating  
 T: Tin  
 G: Gold

**RoHS Compliant**

Scale		Drawn by	ANGLIA	<b>XMULTIPLE</b>	
Unit	mm	Checked by	Kevin		
Tolerance		Sheet	1 of 1		
.X	± 0.38	Projection		Name: Machined pin, 9.53mm 4 Finger Contacts	
.XX	± 0.25				
.XXX	± 0.08				
ANG.	= 2°				
				Part number	XTB-ICS01-M9.53-4-x-x-SB1
				Drawing no.	ICS01-M9.53-4-x-x