

HSF

NOTES:

Current Rating: 3.0AMP
 Contact Resistance: 20mΩ Max
 Withstand Voltage: 1500V AC/DC
 Insulation Resistance: 1000MΩ Min
 Operation Temperature: -40°C to +105°C

Contact Material: Phosphor Bronze
 Contact plating: Au Or Sn over Ni
 Insulator Material: PA9T Or PBT+30%G.F UL94V-0

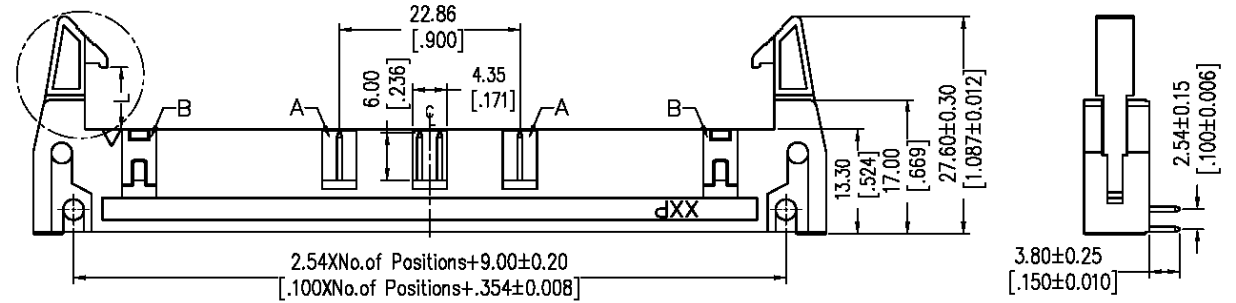
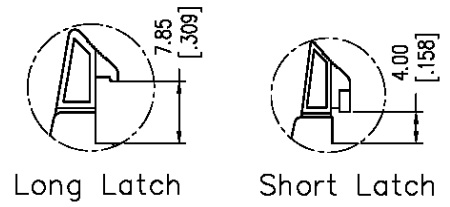
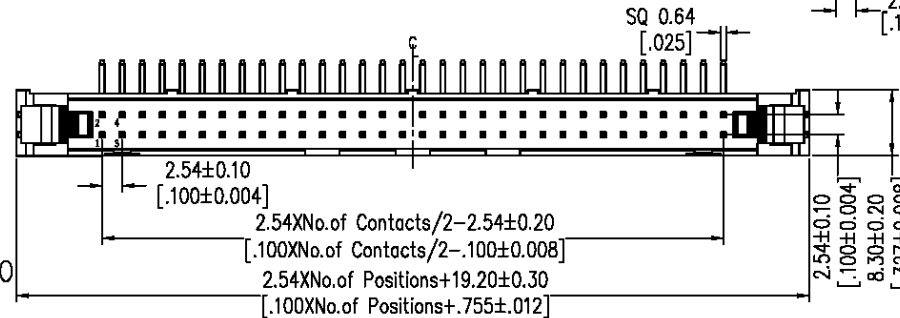
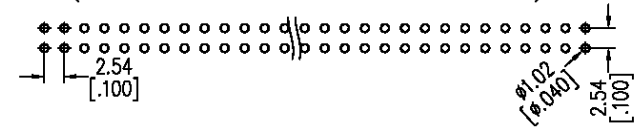
06P-18P Without Slot "A" and "B"
 20P-58P Without Slot "A", With Slot "B"
 60P-64P With Slot "A" and "B"

Ordering Information

XTB-S3210 - XX R XX B X X 1-TO1

No. of Pins	Contact Plating	Insulator Color	Latch Type	Packing
06 24	G0=Gold Flash	B=Black	L=Long Latch	A=Tray
08 26	G3=10u"Gold	U=Blue	S=Short Latch	T=Tube
10 30	G4=15u"Gold	G=Grey(427C)	N=Without Latch	
12 34	G5=30u"Gold	B=Grey(413C)		
14 40	S0=Gold Flash/Tin			
16 50	S3=10u"Gold/Tin			
18 60	S4=15u"Gold/Tin			
20 64	S5=30u"Gold/Tin			
	SN=Tin			

Recommended P.C.B Layout(Top Side)
 (PCB BOARD TOLERANCE±0.05)



Item	Pitch	Mating
Standard	2.54	5211
Alternate		

UNIT	mm	Projection	Xmultiple Technologies, Inc.				
TOLERANCES				TITLE			
General Tolerance		Angle Tolerance		2.54mm Ejector Header 90 Degree Type			
x.x = ± 0.4		x.° = ± 3°		PART NO. XTB-S3210-xxRxxBxx1-TO1			
x.xx = ± 0.25		x.x° = ±					
x.xxx = ± 0.15		.xx° = ±					
DRAWN	Kevin	DATE	2012/10/8				
SCALE	1:1	SIZE	A4	SHEET	1/1	REV	A0