

REV	DATE	DESCRIPTION
B	01/07/'03	

Material & finish

SHELL:

Steel
Zinc plated, Tin plated
or Nickel plated steel

PIN CONTACT:

Phosphor Bronze
Gold plated

INSULATOR:

PBT & Glass-fibre reinforced
UL-94-V0

CURRENT RATING:

1 Amp

DIELECTRIC STRENGTH:

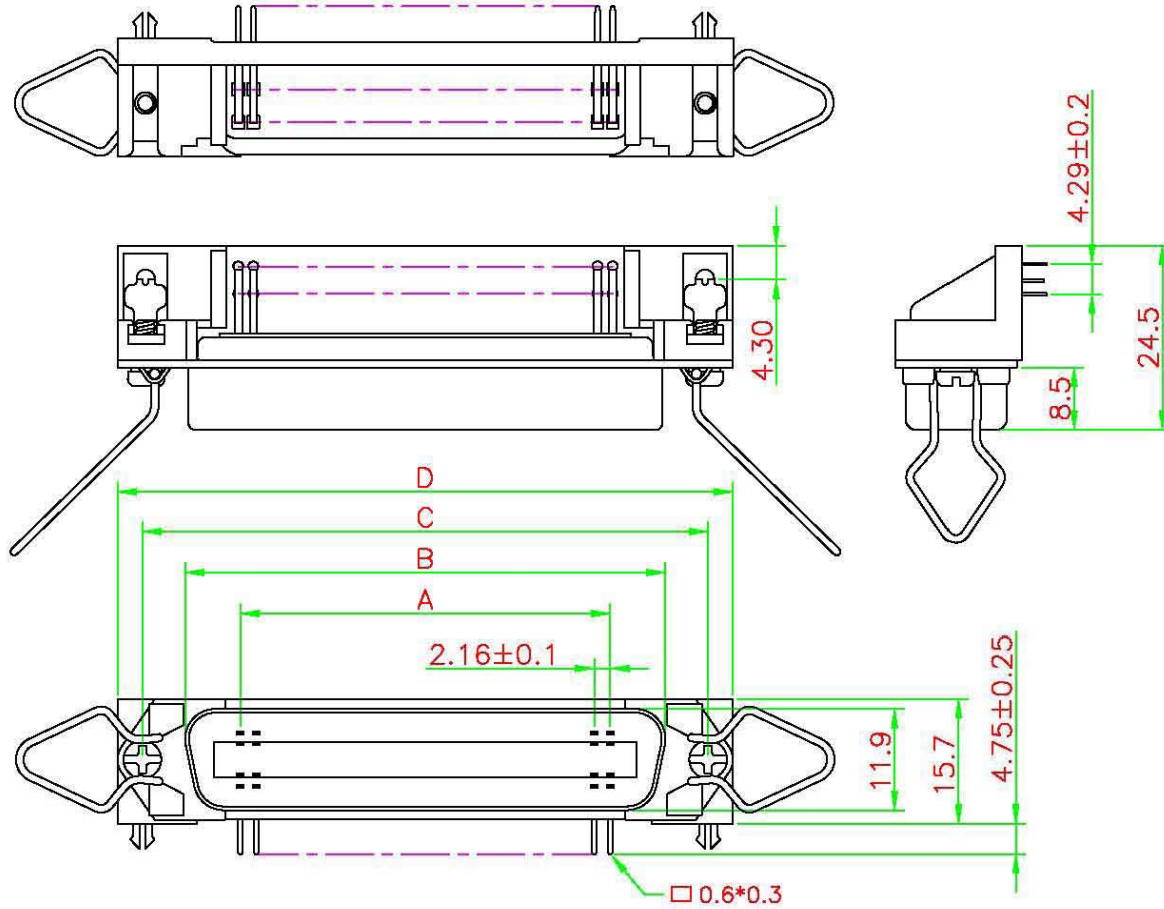
1000V for one minute

INSULATOR RESISTANCE:

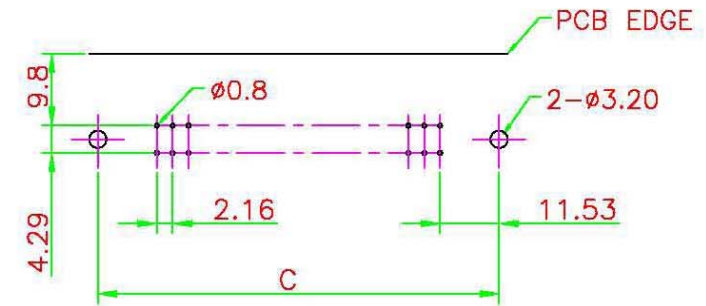
1000MΩ Min. (at 500V DC)

TEMPERATURE:

-55° C to +105° C



Positions	A	B	C	D
36	36.72	48.9	59.7	67.7
50	51.84	64.1	74.9	82.8



P.C.B. LAYOUT

UNIT : mm

Xmultiple Technologies, Inc.

MODEL NAME:
57 P.C.B. RIGHT ANGLE
FEMALE WITH SPRING LATCH
SCREW LOCK Z SHAPE (NEW 40)

SELECT	1	2	3	EXTRA
DIM TOL	1	✓		
0.000	0.05	0.05	0.10	
0.00	0.10	0.15	0.20	✓
0.0	0.15	0.25	0.30	✓
0.	0.25	0.30	0.40	✓
ANGLE	1.0°	3.0°	5.0°	✓

PART NO. XTB-SxxxSBAGCx

APPROVED BY:

FILE NO. FIG00059

CHECKED BY:

SCALE: FREE

DRAW BY:

DATE : 880825