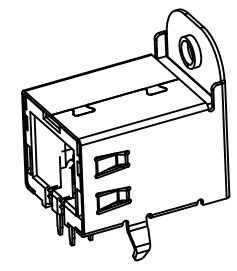
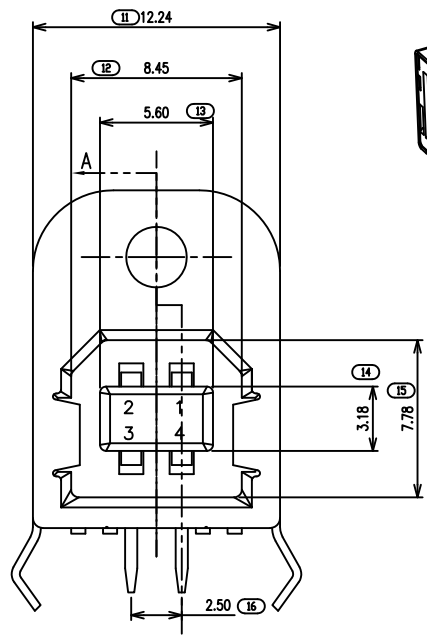
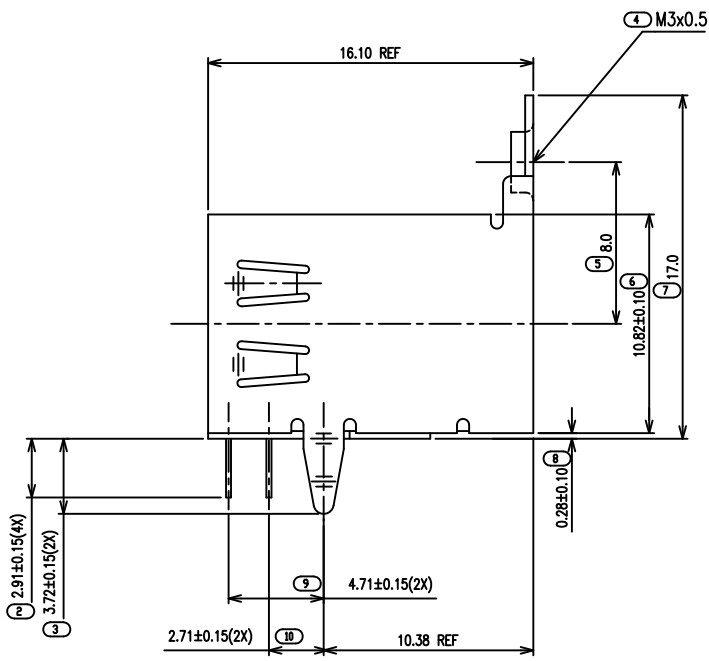
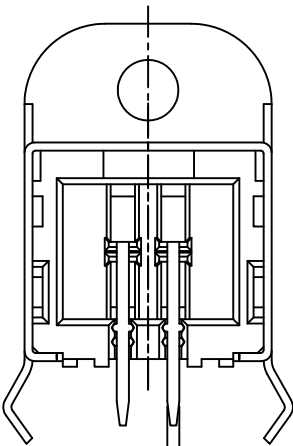
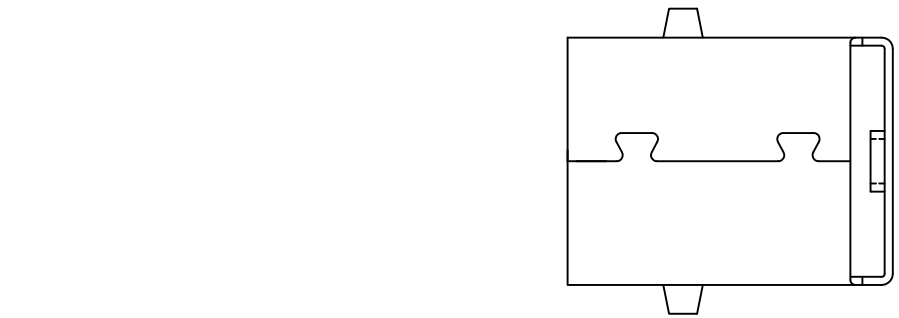


7	8
REV.	ECN.NO.
A	NEW
NAME	DATE
STEVEN	2013.08.01



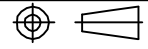
A RoHS Compliant

ITEM	DESCRIPTIONs	MATERIAL	FINISH	Q'TY	NOTE
④	CONTACT LONG	C5191R-H / SEE TABLE A	SEE TABLE A	2	
③	CONTACT SHORT	C5191R-H / SEE TABLE A	SEE TABLE A	2	
②	SHELL	C2680R-H / SEE TABLE A	SEE TABLE A	1	
①	HOUSING	GLASS FILLED,130°C,UL 94V-0 RATED	BLACK	1	

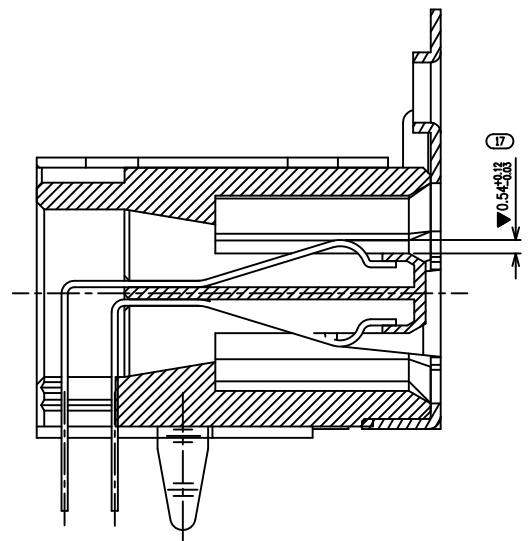
TOLERANCE UNSPECIFIED	
.	±0.50
.0	±0.38
.00	±0.25
.000	±0.10
ANGLE	±3
MANUFACTURING COPY	

X MULTIPLE 

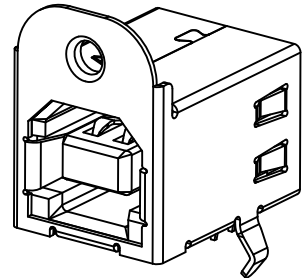
TITLE: USB B TYPE R/A REC WITH FLANGE

DRAWN BY:	STEVEN	SIZE:	A4	UNIT:	mm	PART NO.:	XUSB-PUBBR1-04TF-20N
CHECKED BY:		SCALE:	1:1	PROJECTION		REV:	A
APPROVED BY:		DWG . PATH				SHEET:	1 OF 2

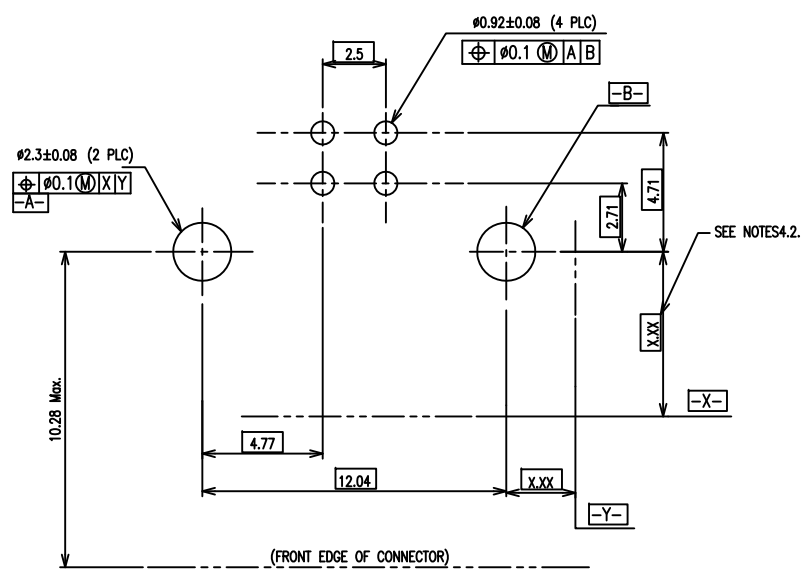
REV.	ECN.NO.	NAME	DATE
A	NEW	STEVEN	2013.08.01



SECTION A-A (X5)



- NOTES :
- RATING :
 - VOTAGE : 30 VAC (R.M.S.)
 - CURRENT : 1.5 AMPERE MINIMUM PER CONTACT AT 30°C T-RISE
 - TEMPERATURE : -55°C TO +85°C(REF. TO CSP-UAC10-00-00)
 - ELECTRICAL CHARACTERISTIC :
 - CONTACT RESISTANCE : 30 MILLIOHMS MAXIMUM INITIAL
 - INSULATION RESISTANCE : 1,000 MEGOHMS MINIMUM
 - DIELECTIC WITHSTANDING VOLTAGE : 500 VAC AT SEA LEVEL
 - CAPACITANCE : 2 PICOFARADS MAXIMUM AT 1KHZ
 - MATERIALS :
 - SHELL : COPPER ALLOY
 - HOUSING : THERMOPLASTIC, GLASS FILLED, 130°C, UL 94V-0 RATED
 - CONTACT : COPPER ALLOY
 - FINISHES :
 - SHELL : BRIGHT TIN PLATED OVER COPPER
 - CONTACT : PLATED Pd-Ni 30u"MIN AND Au 2u"MIN ON TOP
 - OTHERS :
 - RECOMMENDED PC BOARD THICKNESS OF 1.57mm
 - THIS ALLOW FOR A PANEL THICKNESS OF 2.67mm MAXIMUM, IF THE RECEPTACLE CONNECTOR IS MOUNTED BEHIND A PANEL.
 - RECOMMENDED PC BOARD MOUNTING DIMMENSION : REFER FIGURE A
 - DATUM AND BASIC DIMMENSIONS ESTABLISHED BY CUSTOMER.
 - PRODUCT NUMBER CROSS REFERENCE :REFER TO TABLE A
 - TORQUE : 4.5Kg-Cm(MAX.)



RoHS Compliant

ITEM	DESCRIPTIONs	MATERIAL	FINISH	Q'TY	NOTE
④	CONTACT LONG	C5191R-H / SEE TABLE A	SEE TABLE A	2	
③	CONTACT SHORT	C5191R-H / SEE TABLE A	SEE TABLE A	2	
②	SHELL	C2680R-H / SEE TABLE A	SEE TABLE A	1	
①	HOUSING	GLASS FILLED,130°C,UL 94V-0 RATED	BLACK	1	

TOLERANCE UNSPECIFIED	±0.50
.0	±0.38
.00	±0.25
.000	±0.10
ANGLE	±3
MANUFACTURING COPY	

X MULTIPLE

CONNECTING THE INFORMATION AGE

TITLE: USB B TYPE R/A REC WITH FLANGE

DRAWN BY: STEVEN	SIZE: A4	UNIT: mm	PART NO.: XUSB-PUBBR1-04TF-20N
CHECKED BY:	SCALE: 1:1	PROJECTION	REV: A
APPROVED BY:	DWG . PATH	SHEET: 2 OF 2	