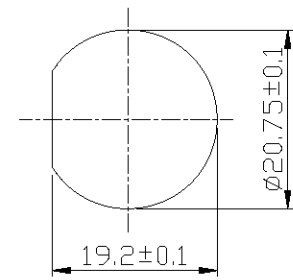
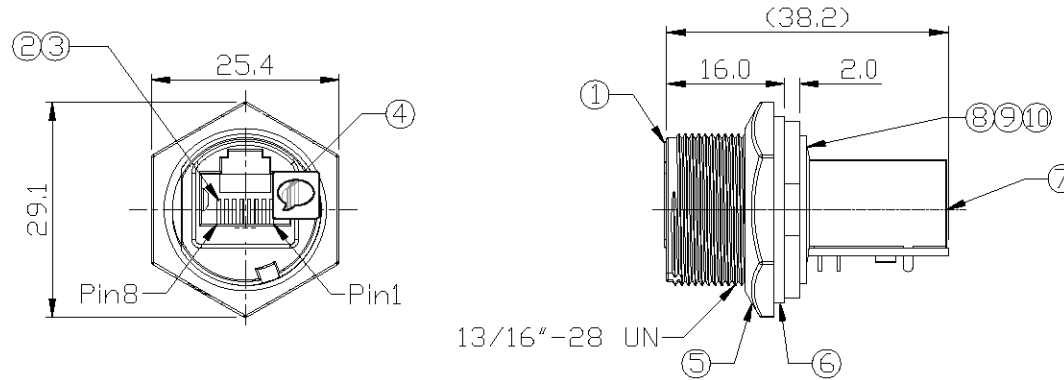


Notes: (Unless Otherwise Specified)

1. Waterproof Rate: IP67.
2. Recommend Panel Thickness: 0.8 to 4.0 mm.
3. Recommend Torque: 14.0~15.0 Kgf-cm.
4. Mating Cap P/N: GT1C5331X2.
5. RoHS Compliant.

REV	ECN#	DESCRIPTION OF REVISION	DRAW BY DATE	CHECK BY DATE	APPROVE BY DATE
A0		Mass Production	Joyce 01/07/13	Lucas 01/07/13	Ray 01/07/13
A1	ECN-130705	Modified PCB	Joyce 07/03/13	Lucas 07/03/13	Ray 07/03/13



Recommend
Panel Cut-Out

10	Glue	Epoxy Color: Black	
9	PCB	FR-4 Color: -	1
8	Holder	Thermoplastic Color: Black	1
7	RJ45 Receptacle	Shell: Copper Alloy; Finish: Ni Plated Housing: Thermoplastic; Color: Black Contacts: Copper Alloy; Finish: Au Plated	1
6	Gasket	Silicone Color: Black	1
5	Hex Nut	Thermoplastic Color: Black	1
4	EMI Shielded Plate	Copper Alloy Finish: Ni Plated	2
3	Holder	Thermoplastic Color: Black	1
2	RJ45 Receptacle	Housing: Thermoplastic; Color: Gray Contacts: Copper Alloy; Finish: Au Plated	1
1	Housing	Thermoplastic Color: Black	1
Item	Part Name	Material / Finish	Q'ty

TITLE						REV.			
RJ45 Plastic C3 Shielded Panel Jack Screw Coupler						GT125300-30			A1
DD NOT SCALE DRAWINGS	B	1:1	Joyce 01/07/13	Lucas 01/07/13	Ray 01/07/13	X.X X.XX	± 0.5 ± 0.2	X.XXX ANGLES ± 1°	mm 1/1
THIRD ANGLE PROJECTION	SIZE	SCALE	DRAW / DATE	CHECK / DATE	APPROVE / DATE	TOLERANCES		UNIT	SHEET

<p>Xmultiple Technologies, Inc.</p>
