

1

2

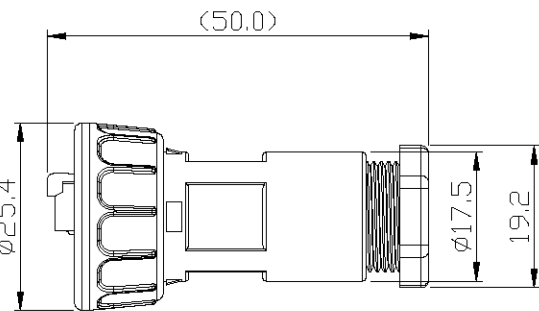
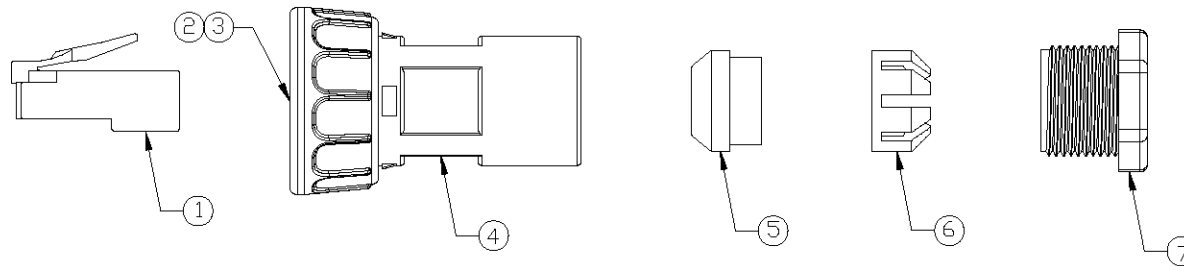
3

4

Notes: (Unless Otherwise Specified)

- 1. Waterproof Rate: IP67.
- 2. Cable Diameter: 5.0 to 6.0 mm
- 3. Recommend Gland Nut Torque: 9.0 to 10.0 Kgf-cm.
- 4. RoHS Compliant

REV	ECN#	DESCRIPTION OF REVISION	DRAW BY DATE	CHECK BY DATE	APPROVE BY DATE
A0		Mass Production	Joyce 04/24/12	Lucas 04/24/12	Ray 04/24/12



Item	Part Name	Material / Finish	Q'ty
7	Gland Nut	Thermoplastic Color: Black	1
6	Cage	Thermoplastic Color: White	1
5	Gland	Silicone Color: Green	1
4	Housing	Thermoplastic Color: Black	1
3	Screw Nut	Thermoplastic Color: Black	1
2	Rubber Pad	Silicone Color: Black	1
1	RJ45 Plug	Housing: Thermoplastic, Color: Clean Contacts: Copper Alloy, Finish: Au Plated Shell: Copper Alloy, Finish: Ni Plated	1

TITLE RJ45 C3 Plastic Shielded Easy Field Installable Cable End Plug Screw				DRAWING NUMBER GT125360-00			REV. A0	
---	--	--	--	-------------------------------	--	--	------------	--

Xmultiple Technologies, Inc.

THIRD ANGLE PROJECTION	SIZE B	SCALE 1:1	DRAW / DATE Joyce 04/24/12	CHECK / DATE Lucas 04/24/12	APPROVE / DATE Ray 04/24/12	TOLERANCES X.X ± 0.5 X.XX ± 0.2	ANGLES XXX ± 0.05 ANGLES ± 1°	UNIT mm	SHEET 1/1
------------------------	-----------	--------------	-------------------------------	--------------------------------	--------------------------------	---------------------------------------	-------------------------------------	------------	--------------

1

2

3

4