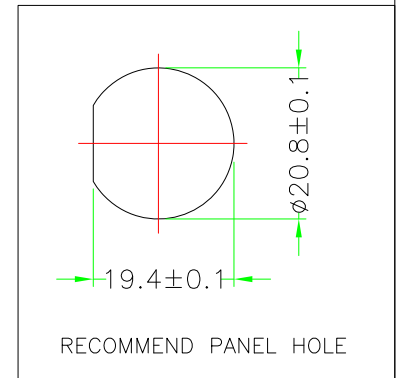
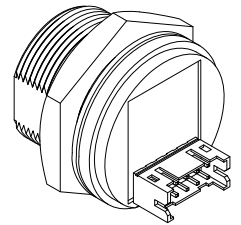
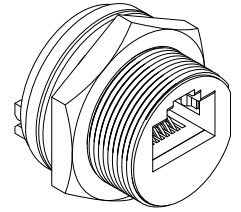
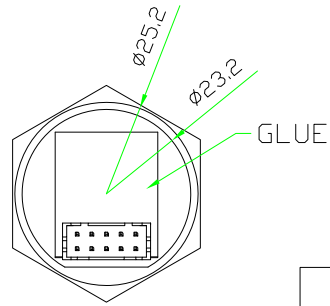
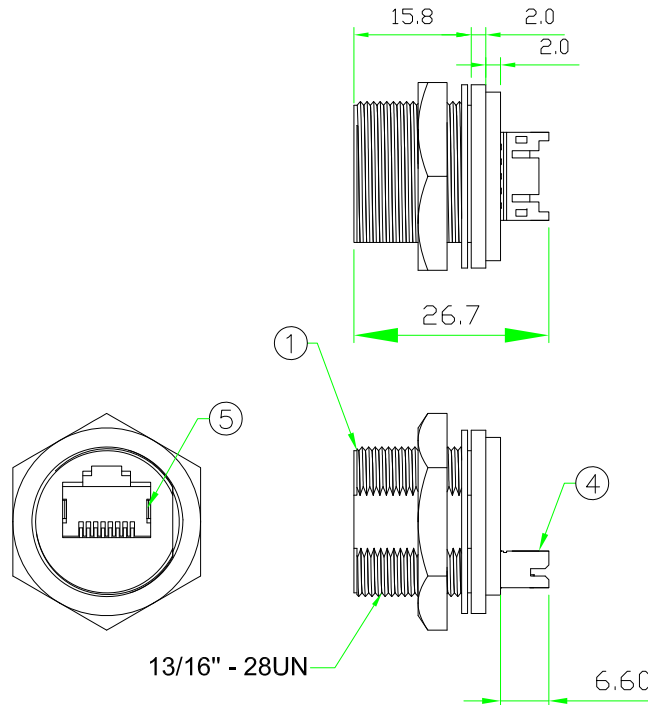
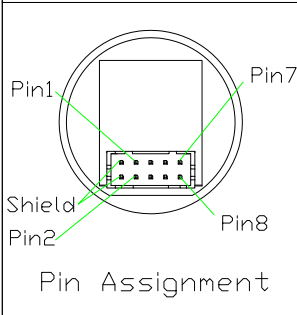
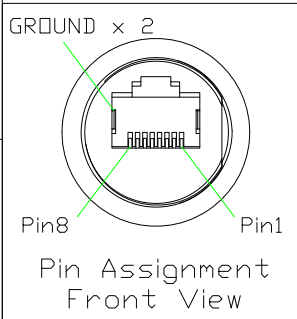
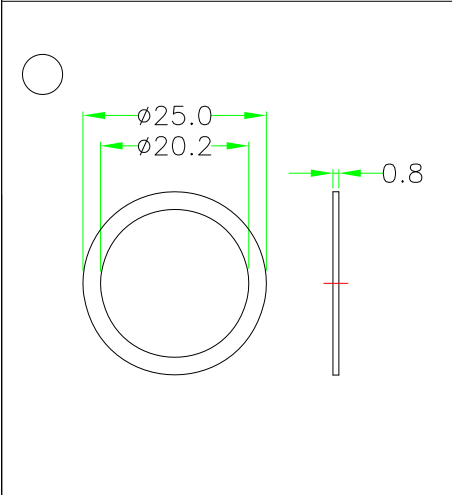
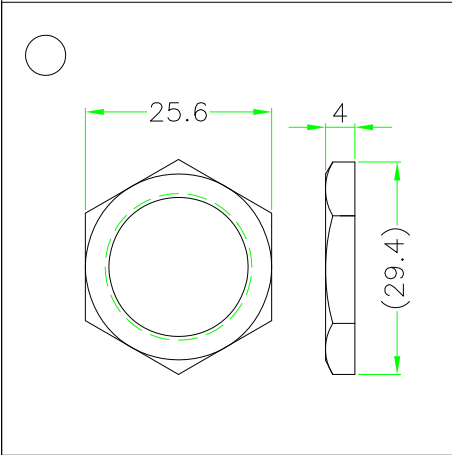


RoHS

IP67

REV.	DESCRIPTION	DATE
A	ISSUE	Apr/13/2009



5	GROUND	GROUND CONTACT.		2	
4	WAFER	PITCH 2.0mm CENTER HEADERS P/N:2027-10.	WHITE	1	
3	GASKET	EPDM.	BLACK	1	
2	HEX NUT	HEX NUT .	BLACK	1	
1	CONNECTOR	RJ45C-PJSWSC.	BLACK	1	
No.	PART NAME	DESCRIPTION	COLOR	Q'TY	REMARKS

Xmultiple Technologies, Inc.					
		UNIT: mm	TITLE: RJ45 PANEL MOUNT CONNECTOR SCREW TYPE WITH WAFER.		
SCALE		1:1	P/N:		DR. <i>Stanley</i>
UNLESS OTHERWISE SPECIFIED TOLERANCES:			XWPB-RJ45C-JPSWSC		CH. <i>МІСНАЄ</i>
x ±0.25 xx ±0.1 xxx ±0.05 ANGLE ± 1x			DWG.NO:		AP.
REV.	A	SHEET	1/1		XWPB-RJ45C-JPSWSC