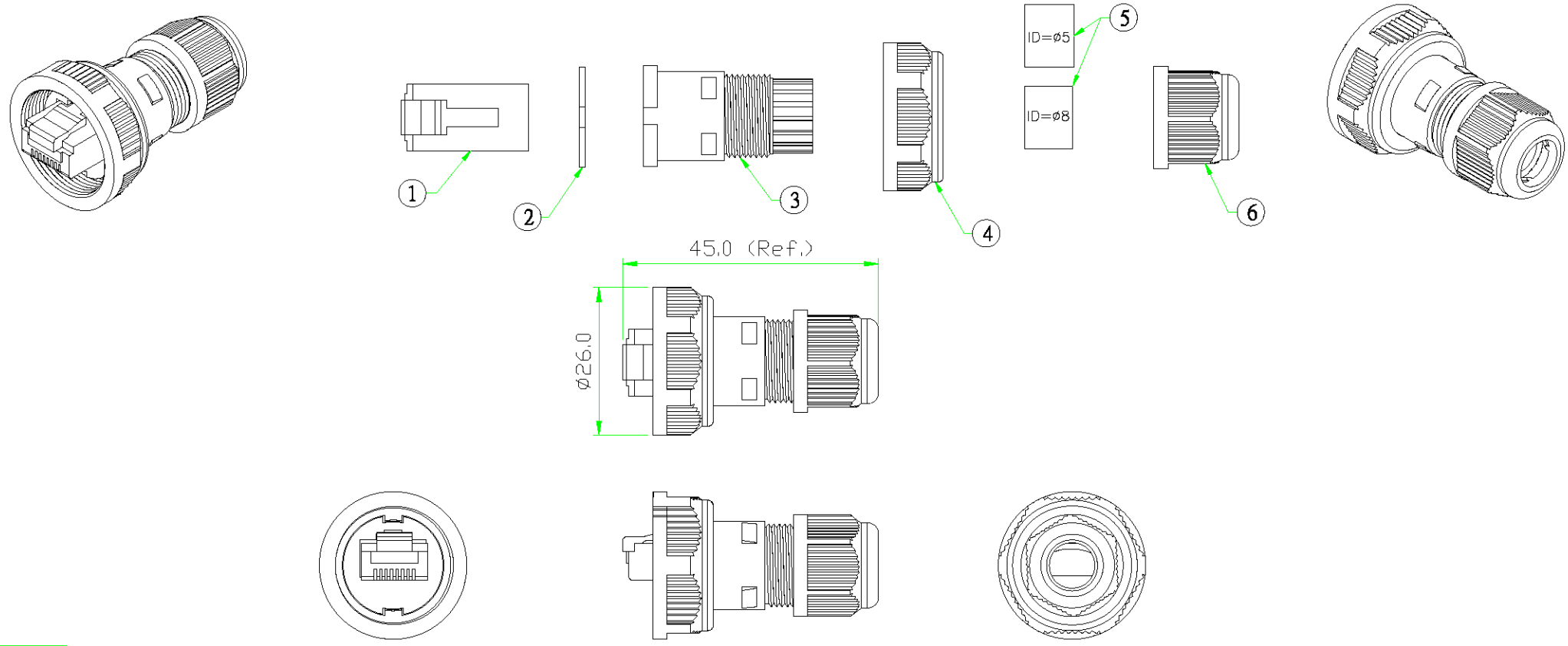



REV	DESCRIPTION	DATE
A	ISSUE	OCT/17/2008
A1	Change screw nut	JUL/12/2009



IP67
RoHS

No.	PART NAME	DESCRIPTION	COLOR	Q'TY	REMARKS
6	SCREW	PRESSING SCREW, NYLON.	BLACK	1	70-135
5	SEAL	SANTOPRENE. for cable OD: 3~5mm & 5~8mm.	BLACK	2	71-135
4	SCREW NUT	SCREW NUT, NYLON+GF.	BLACK	1	70-135 -N4-2
3	SLEEVE	CABLE SLEEVE, NYLON.	BLACK	1	69-135-N2
2	GASKET	SANTOPRENE.	BLACK	1	84-135
1	RJ-45 PLUG	RJ-45 8P8C SHIELDED PLUG.		1	

RJ45 PANEL MOUNT CONNECTOR SCREW TYPE WITH WAFER.	
 UNIT: mm SCALE 1:1	TITLE : RJ45 PLUG C SIZE SCREW TYPE FIELD INSTALLABLE PLUG
UNLESS OTHERWISE SPECIFIED TOLERANCES: X ±0.25 XX ±0.1 XXX ±0.05 ANGLE ±1°X REV. SHEET	P/N: XWPB-RJ45C-P108SAS DWG.NO: XWPB-RJ45C-P108SAS
A1	1/1
	DR. <i>jaek</i> CH. <i>ERTC</i> AP.