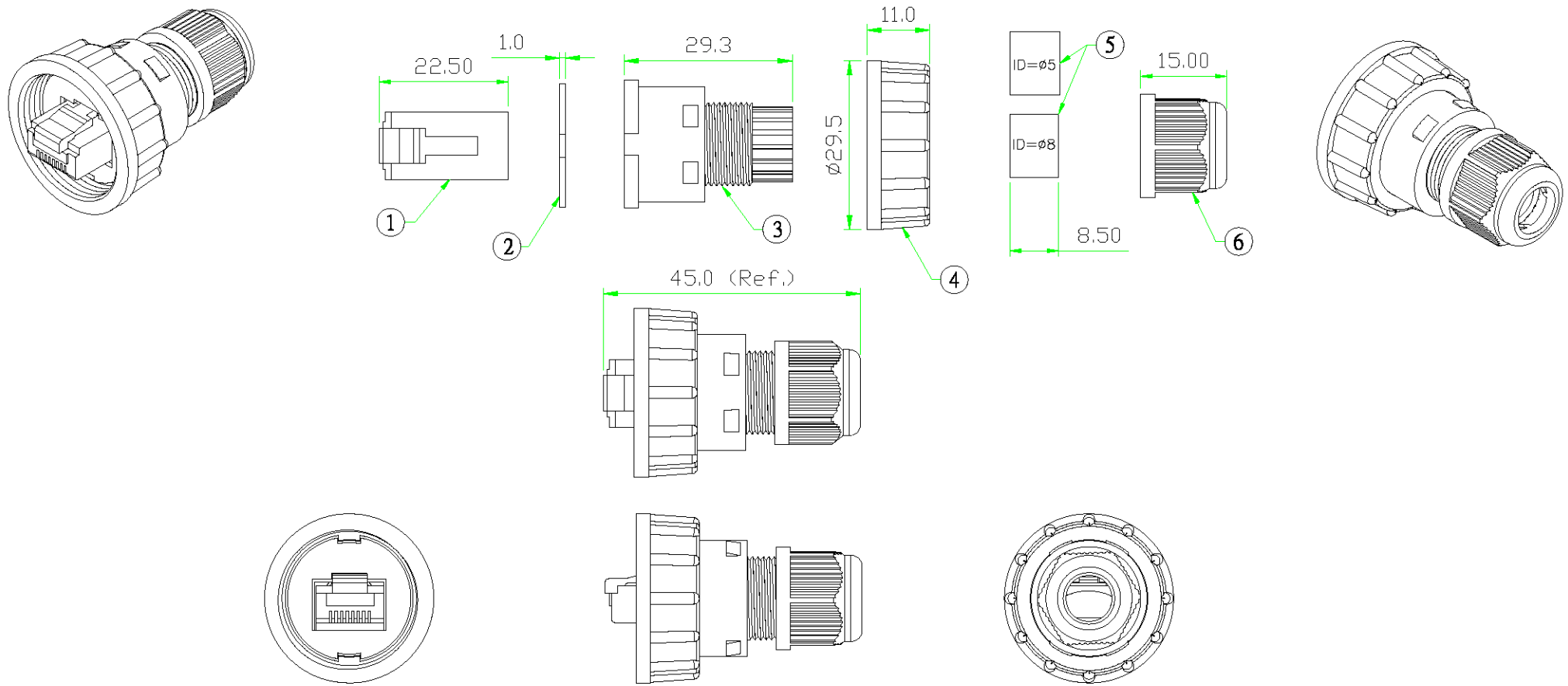


REV	DESCRIPTION	DATE
A	ISSUE	JUL/25/2011



RoHS

6	SCREW	PRESSING SCREW, NYLON.	BLACK	1	70-135
5	SEAL	SANTOPRENE. for cable OD: 3~5mm & 5~8mm.	BLACK	2	71-135
4	SCREW NUT	SCREW NUT, NYLON+GF.	BLACK	1	CDARJ45D-SN (85-135-N1)
3	SLEEVE	CABLE SLEEVE, NYLON.	BLACK	1	RJ45D-HOOD (69-135-N1)
2	GASKET	SANTOPRENE.	BLACK	1	RJ45D-G (140-135)
1	RJ-45 PLUG	RJ-45 8P8C SHIELDED PLUG.		1	S7801R8P8C03A -1.0
No.	PART NAME	DESCRIPTION	COLOR	Q'TY	REMARKS

Xmultiple Technologies, Inc.			
	UNIT: mm	TITLE : RJ45 Plug D Size Screw Type Field Installable Plug	
SCALE	1:1	P/N: XWPB-RJ45D-P108SA	
UNLESS OTHERWISE SPECIFIED TOLERANCES:		DR. Michael	
x ±0.25	xx ±0.1	CH. ERTC	
xxx ±0.05	ANGLE ±1°	AP.	
REV. A	SHEET 1/1	DWG.NO: XWPB-RJ45D-P108SA	