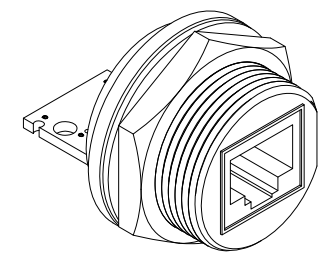
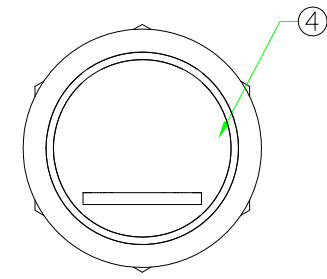
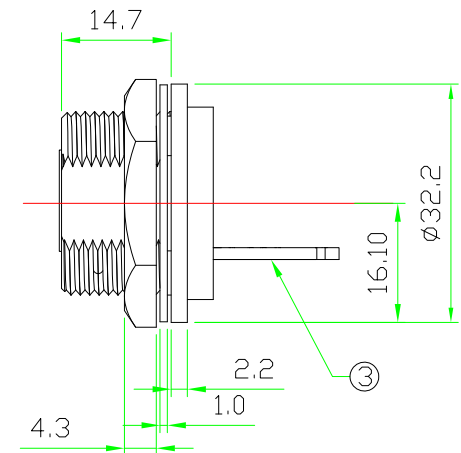
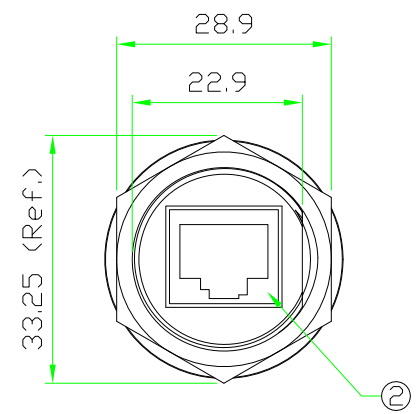
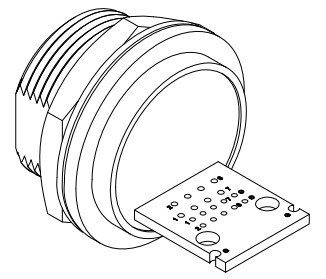
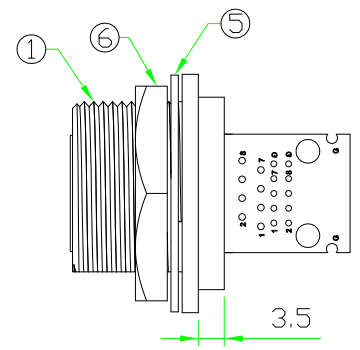
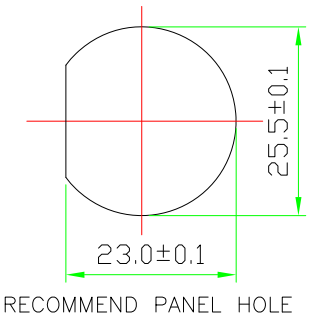




REV	DESCRIPTION	DATE
A	ISSUE	Aug/30/2011



RoHS

No.	PART NAME	DESCRIPTION	COLOR	Q'TY	REMARKS
6	HEX NUT	NYLON+GF.	BLACK	1	CDA-HNUT (42-135-N3)
5	GASKET	EPDM.	BLACK	1	CDA-G
4	GLUE	SEALED GLUE.	BLACK	1	
3	PCB	FR4, DOUBLE SIDE 1.6mm THICKNESS.		1	RJ45D-PCB
2	RJ45 JACK	RJ45 JACK WITH SHIELD. RIGHT ANGLE TYPE.		1	9740-8814-SE-B
1	CONNECTOR	RJ45 JACK CONNECTOR BODY. NYLON+GF.	BLACK	1	RJ45D-PJC (82-135-N5)

Xmultiple Technologies, Inc.



 UNIT: mm

SCALE: 1:1

TITLE: RJ45 JACK D Size Panel Connector
 Screw Type Round Flange Rear Mount
 With PCB Assembly

UNLESS OTHERWISE SPECIFIED TOLERANCES:
 X ±0.25 XX ±0.1
 XXX ±0.05 ANGLE ±1°X

REV. SHEET DWG.NO:
 A 1/1 XWPB-RJ45D-PJC

DR. *jaek*
 CH. *michael*
 AP.