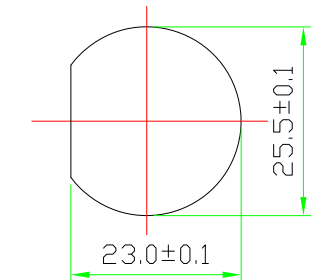
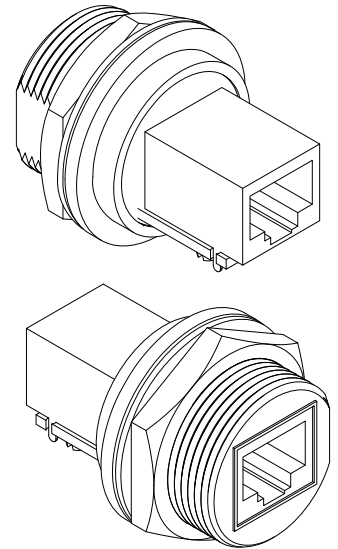
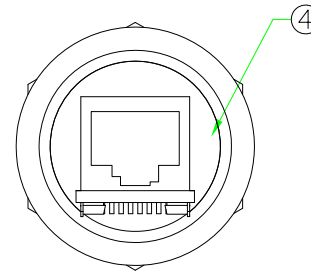
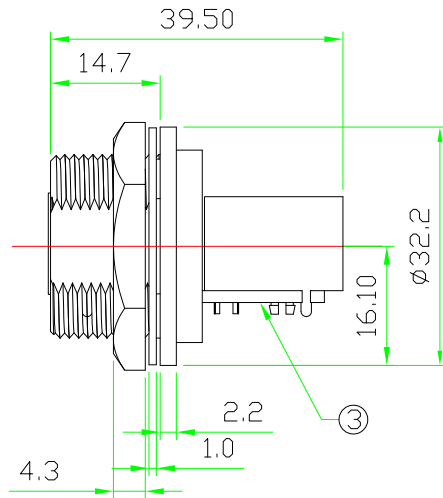
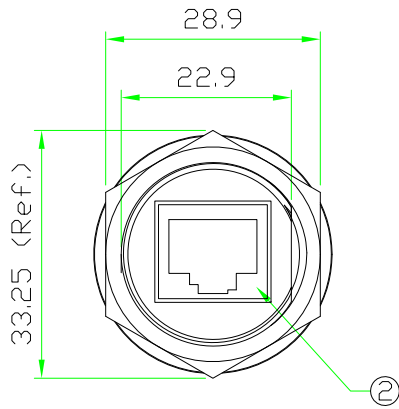
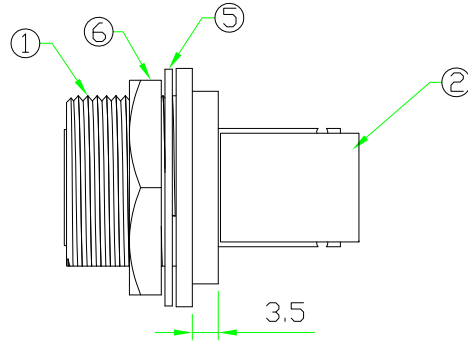


REV	DESCRIPTION	DATE
A	ISSUE	Aug/30/2011



RECOMMEND PANEL HOLE



IP67

RoHS

No.	PART NAME	DESCRIPTION	COLOR	Q'TY	REMARKS
6	HEX NUT	NYLON+GF.	BLACK	1	CDA-HNUT (42-135-N3)
5	GASKET	EPDM.	BLACK	1	CDA-G
4	GLUE	SEALED GLUE.	BLACK	1	
3	PCB	FR4, DOUBLE SIDE 1.6mm THICKNESS.		1	RJ45D-PCB
2	RJ45 JACK	RJ45 JACK WITH SHIELD FILTER. RIGHT ANGLE TYPE.		2	9740-8814-SE-B
1	CONNECTOR	RJ45 JACK CONNECTOR BODY. NYLON+GF.	BLACK	1	RJ45D-PJC (82-135-N5)

Xmultiple Technologies, Inc.					
		UNIT: mm	TITLE : RJ45 JACK D Size Panel Connector Screw Type Round Flange Rear Mount With Right Angle RJ45 Shield Jack		
SCALE	1:1	UNLESS OTHERWISE SPECIFIED TOLERANCES:		P/N:	DR. <i>jaek</i>
x	±0.25	xx	± 0.1	RJ45D-PJCRJ	CH. <i>michael</i>
xxx	± 0.05	ANGLE	± 1°		AP.
REV.	A	SHEET	1/1	DWG.NO:	RJ45D-PJCRJ