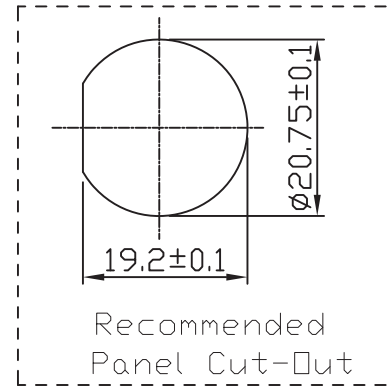
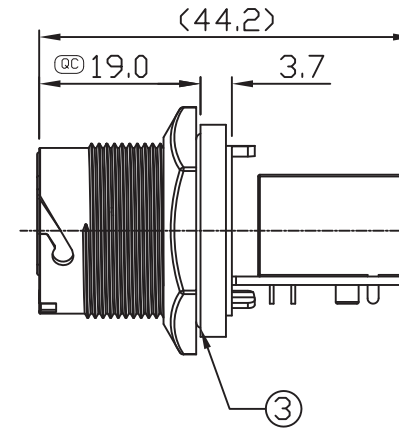
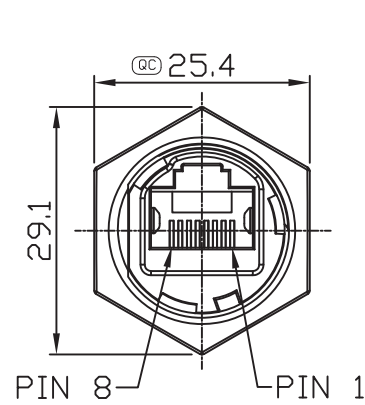
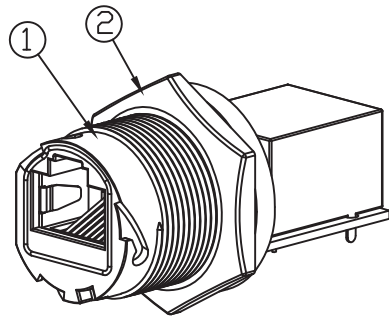


NOTES: (UNLESS OTHERWISE SPECIFIED)

1. (QC) Critical Dimension.
2. Waterproof Rate : IP68.
3. Panel Thickness : 0.8 to 8.0 mm.
4. HEX Nut Torque: 5kgf-cm Tightening Torque.

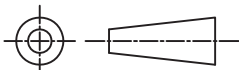
No.	Component P/N
1	93225-20030
2	66225-00010
3	67225-00110



RJ45 SHIELDED		
Pin	Name	Function
1	TX D1+	TRANCEIVE DATA+
2	TX D1-	TRANCEIVE DATA-
3	RX D2+	RECEIVE DATA+
4	BI D3+	BI DIRECTIONAL DATA+
5	BI D3-	BI DIRECTIONAL DATA-
6	RX D2-	RECEIVE DATA-
7	BI D4+	BI DIRECTIONAL DATA+
8	BI D4-	BI DIRECTIONAL DATA-

GENERAL TOLERANCE

SIZE	DRAWN
A4	Sam
REV.	DATE
0	Aug/15/12



UNIT:mm

DESCRIPTION:

Waterproof RJ45 female coupler adaptor
panel mount metal bayonet lock (RoHS)

PRODUCT NO.

XWPB-WPR-45CLFMC02

FILE NAME.

XMULTIPLE
Technologies, Inc.