



Waterproof RJ45 Connectors

P/N: XWPB-YW-01 Connectors

Feature

Page : 1/3

The XWPB Series of RJ45 waterproof connectors are designed for harsh environments with high reliability with dust, moisture, water and corrosive elements. The XWPB-YW-01 sealing ability assures a reliable connection, even in environments with extreme conditions. The XWPB-YW-1 provides many years of trouble free service. The shielded design of the Cat5e cable and connectors will provide maximum shielding against external EMI for consistent data communications.

- 10BaseT, 100BaseT and 1000BaseT Networks
- Shock and vibration resistant..
- RoHS compliant.

XWPB- YW-01 Connectors

Specification

Product Outline Dimensions

Specifications	
Ambient Temperature Range	-55°C ~ 125°C
Relative humidity	90%-95%(40±2°C)
Shock	Acceleration 490m/s ² , instantaneous break≤ 1μs
Withstand Voltage	1000V
Working Voltage	150V
Rating Current	1.5A
Contact Resistance	≤ 30mΩ
Insulated resistance	≥ 5000 mΩ
Salt spray	5%Nacl liquor48h
Vibration	10-2000Hz,147 m/s ² , instantaneous break≤ 1μs
Airtightness	Under 1meters water for 2 hours when mated
	Receptacle: differential pressure101,000pa, will not leakage within 1min
Shell plating	Nickel plating
Life	500times

Tel: 805-579-1100

Fax: 805-579-7800

E-mail:sales@xmultiple.com

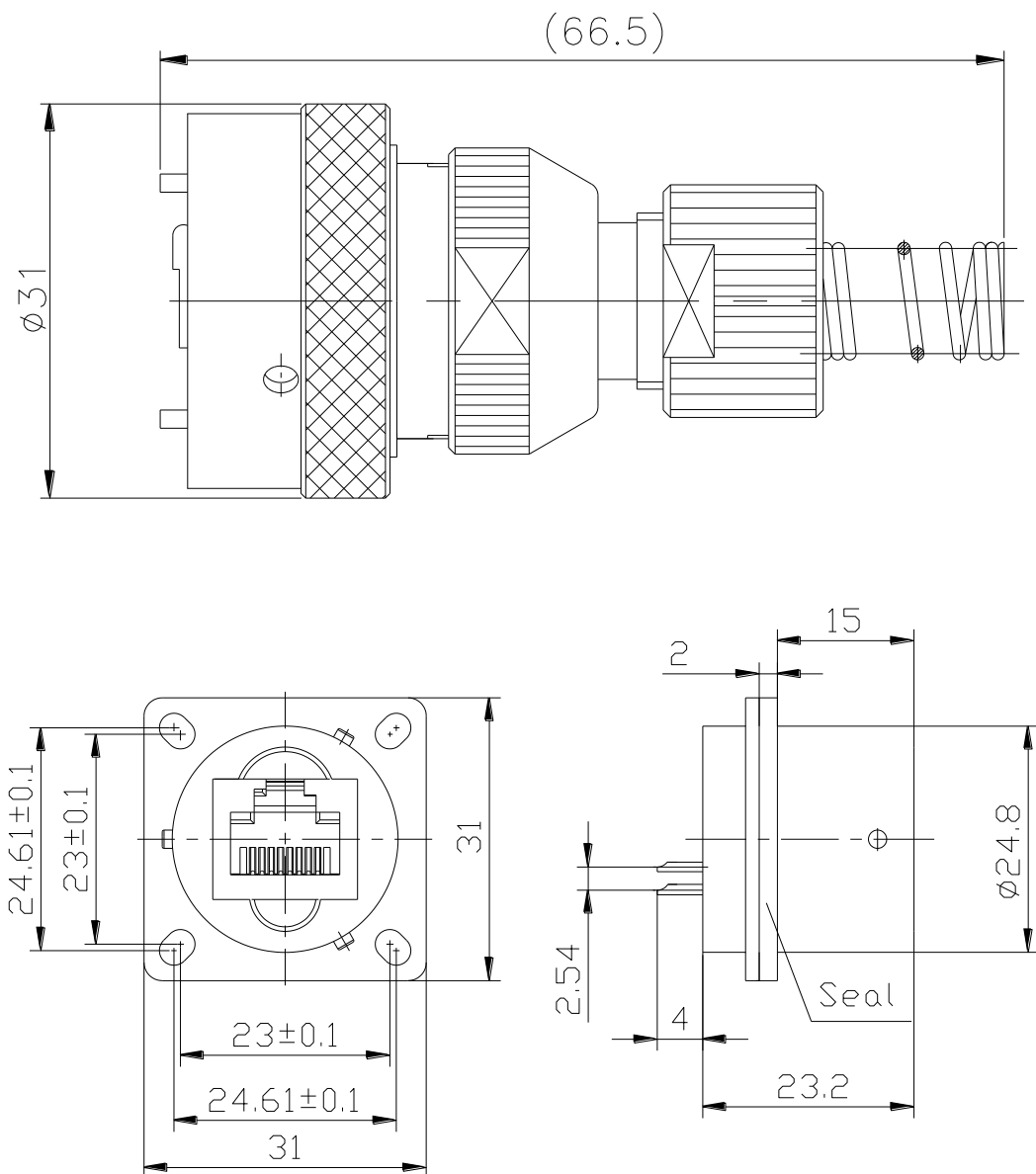
Website:www.xmultiple.com

Waterproof RJ45 Connectors

P/N: XWPB-YW-01 Connectors

Feature

Page : 2/3



Tel: 805-579-1100

E-mail: sales@xmultiple.com

Fax: 805-579-7800

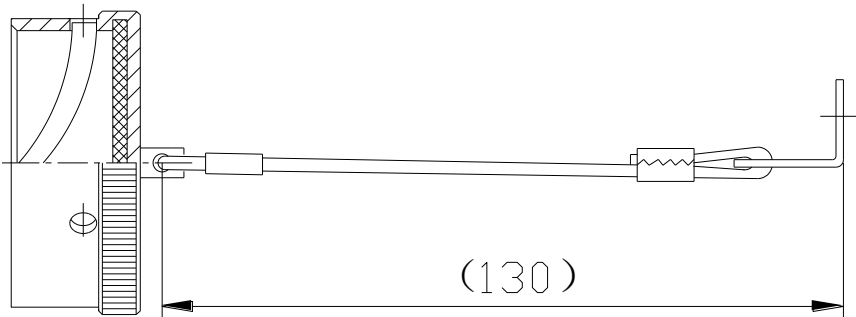
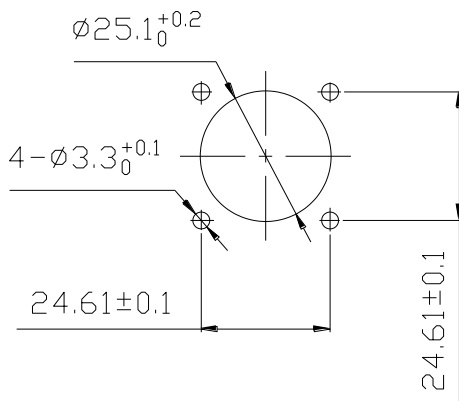
Website: www.xmultiple.com

Waterproof RJ45 Connectors

P/N: XWPB-YW-01 Connectors

Feature

Page : 3/3



Tel: 805-579-1100

Fax: 805-579-7800

E-mail: sales@xmultiple.com

Website: www.xmultiple.com