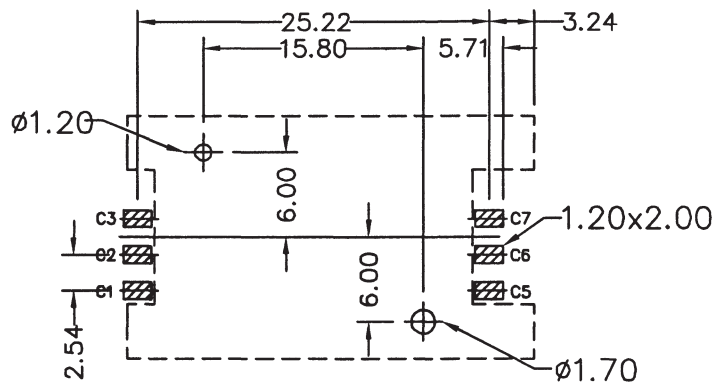
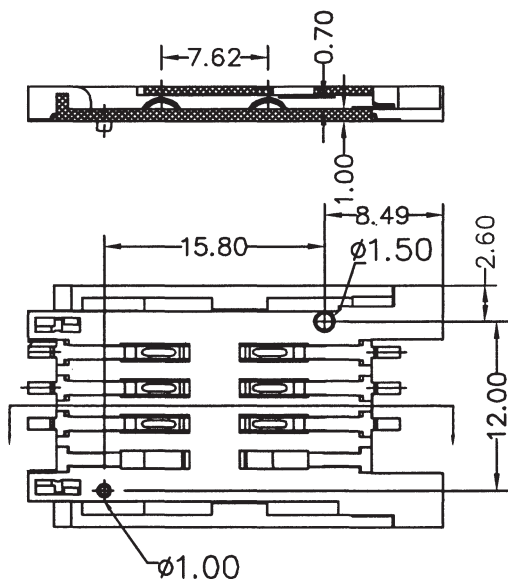
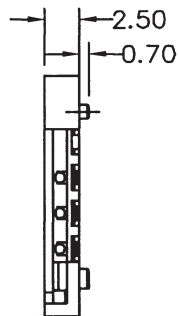
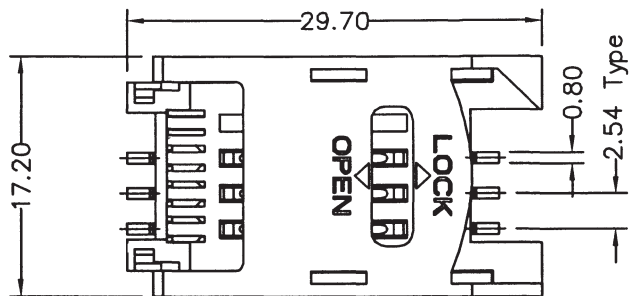


REV.	ECN NO.	DATE
A	Released	06/05/2014
B	0721/14	07/21/2014



(.XX±0.05)  
REFERENCE PCB LAYOUT

**Specifications:**

**Materials:**

- \* Contact: Phosphor Bronze
- \* Housing: Thermoplastic, (UL94V-0)
- \* Plating:  
Gold plating on contact area.  
Tin plating on solder tail.

**Electrical:**

- \* Contact Resistance: 50mΩ Max.
- \* Insulator Resistance:  
1000MΩ Min. at DC 500V
- \* Current Rating: 0.5A Max.
- \* Dielectric Withstanding Voltage:  
500VAC R.M.S. for 1 minute
- \* Durability: 5000 cycles
- \* Operating Temperature: -25°C ~ + 85°C
- \* Manual Soldering: 360°C, 3Sec. Max.
- \* Vapor phase: 215°C, 30Sec. Max.
- \* IR Reflow: 260°C, 30Sec. Max

How to Order:

XSDC - SIM01 - 1 - 6 - x - 5 - W - x - 0

Pin no.:  
6: 6 pins

Package  
Y: Tray  
R: Tape  
on Reel

Plating  
S: Sel. gold flash

Posts  
W: With  
0: Without

**RoHS Compliant**

Scale		Drawn by	ANGLIA	<b>XMULTIPLE</b>	
Unit	mm	Checked by	Kevin		
Tolerance		Sheet	1 of 1		
.X	± 0.38	Projection		Name: SIM Card Connector, 6 pins With posts, cover 1pcs type	
.XX	± 0.25			Part number	XSDC-SIM01-1-6-X-5-W-X-0
.XXX	±			Drawing no.	SIM01-1-6-x-5-W-x-0
ANG.	= 1°				