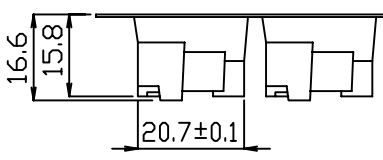
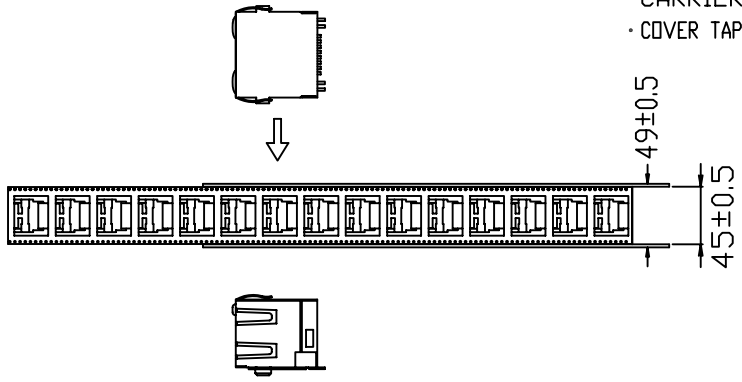


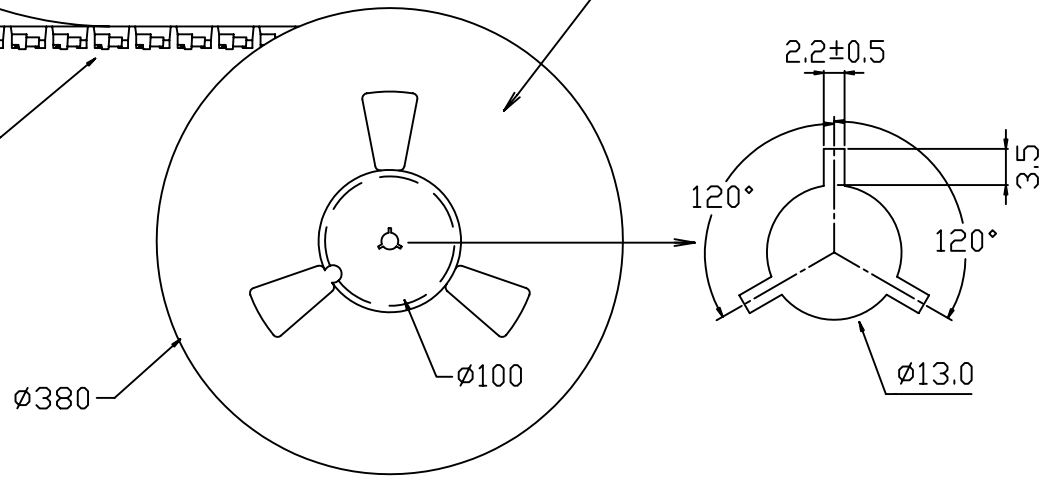
MATERIALS:
 · REEL-2mm THICK PLASTIC WHEEL.
 · CARRIER-PS (0.50mm THICK TAPE).
 · COVER TAPE-PE (0.10mm THICK TAPE).



COVER TAPE

CARRIER

REEL



NOTES:

- A. THE DIRECTION OF JACKS PUT INTO CARRIER.
- B. 10 EMPTY CAVITIES FOR BOTH OF TOP AND BOTTOM OF THE CARRIER.
- C. 240 PCS PRODUCTS BE PACKAGED ONE REEL.

X MULTIPLE			CONNECTING THE INFORMATION AGE
XMULTIPLE ASIA 4F, No. 347, Yang Guang St., Neihu Chiu, Taipei, Taiwan 11475	XMULTIPLE USA 1420 Los Angeles Ave., Suite G, Simi Valley, CA 93065	CUSTOMER/NO:	
THIS DRAWING IS A CONTROLLED DOCUMENT.			DWG NO: XRJS-S-01-8-8-X-901
TITLE: XRJS PACKING			DRAWN: TARA
PART NO: XRJS-S-01-8-8-X-901			CHKD: FUTIEN
	DIMENSIONS mm[inch]	SHEET 1 of 1	REV 01
			DATE: 19/04/04