



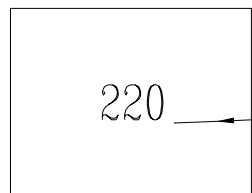
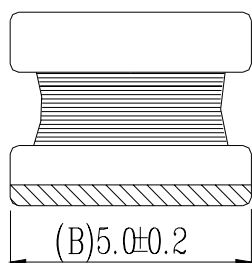
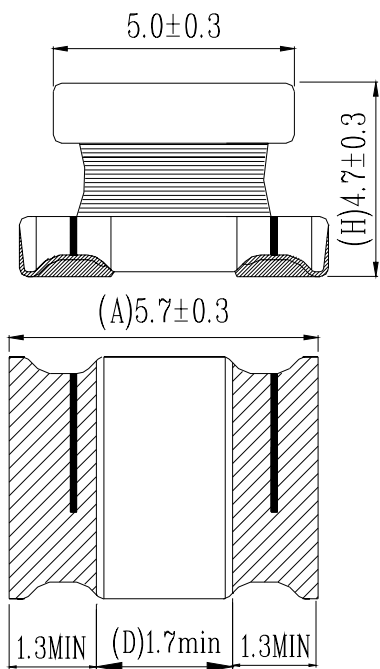
- Large current type
- Only for reflow soldering.
- Operating temperature range: -25 to $+80^{\circ}\text{C}$
- Lead free and RoHS compliant

Electrical Specifications @ 25°C

Part Number	L (μH)	DCR ($\Omega \pm 40\%$)	Test Frequency (MHz)	Rated Current (mA)	Self Resonance Frequency (MHz)	Tolerance Suffix
DK3R12M	0.12	0.007	1	6000	450	M
DK3R27M	0.27	0.010	1	5300	300	M
DK3R47M	0.47	0.013	1	4800	200	M
DK31R0M	1.0	0.019	1	4000	150	M
DK31R5M	1.5	0.022	1	3700	110	M
DK32R2M	2.2	0.029	1	3200	80	M
DK33R3M	3.3	0.036	1	2900	40	M
DK34R7M	4.7	0.041	1	2700	30	M
DK36R8M	6.8	0.074	1	2000	25	M
DK3100M	10	0.093	1	1700	20	M
DK3150M	15	0.15	1	1400	17	M
DK3220M	22	0.19	1	1200	15	M
DK3330M	33	0.32	1	900	12	M
DK3470M	47	0.40	1	800	10	M
DK3680M	68	0.67	1	640	7.6	M
DK3101M	100	0.86	0.1	560	6.5	M
DK3151M	150	1.9	0.1	420	5.0	M
DK3221M	220	2.4	0.1	320	4.0	M
DK3331M	330	4.4	0.1	270	3.1	M
DK3471M	470	5.4	0.1	240	2.4	M
DK3681M	680	8.1	0.1	190	1.9	M
DK3102M	1000	10.3	0.01	150	1.7	M
DK3222M	2200	21.9	0.01	100	1.2	M
DK3472M	4700	43.6	0.01	70	0.8	M
DK3103M	1000	100	0.01	50	0.5	M

NOTE:

1. Suffix of M = $\pm 20\%$



Marking
(Inductance code)

 : 电极 无铅制程