

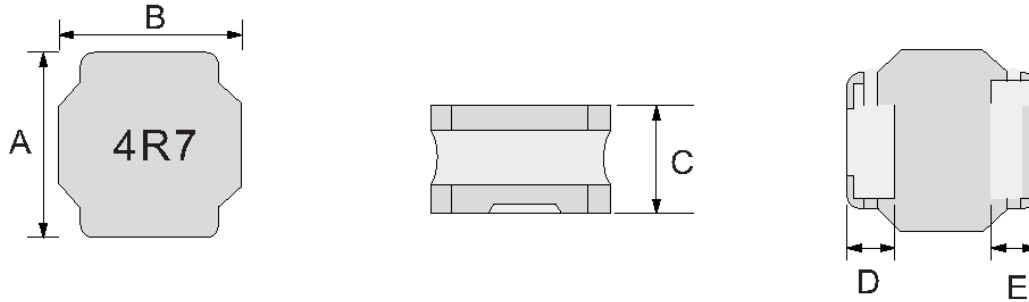
# SPECIFICATION FOR APPROVAL

Customer:  
Customer P/N:



Page 1 / 1

## A Dimensions: Unit(mm)



Part NO	A	B	C	D	E
LQH8040-4R7N	8.0 ± 0.2	8.0 ± 0.2	4.0 max	1.9 ± 0.2	1.9 ± 0.2

## B Electrical Character

Part Number	Inductance	DCR	Isat 30%drop	Ims Rise 40°C	Test Frequency
	L(μH)	Ω	A	A	KHz
LQH8040-4R7N	4.7±30%	0.017±30%	6 max	4.2 max	100

### C Test equipment:

1. L: HP4274A Tested at 100KHz/0.1V
2. DCR: AX-111
3. Electrical specifications at: 20°C

### D General Specifications:

1. Storage temp range: -40°C to +125°C
2. Operating temp range: -40°C to +85°C

Approved By	Poal	Checked By	Alan
-------------	------	------------	------