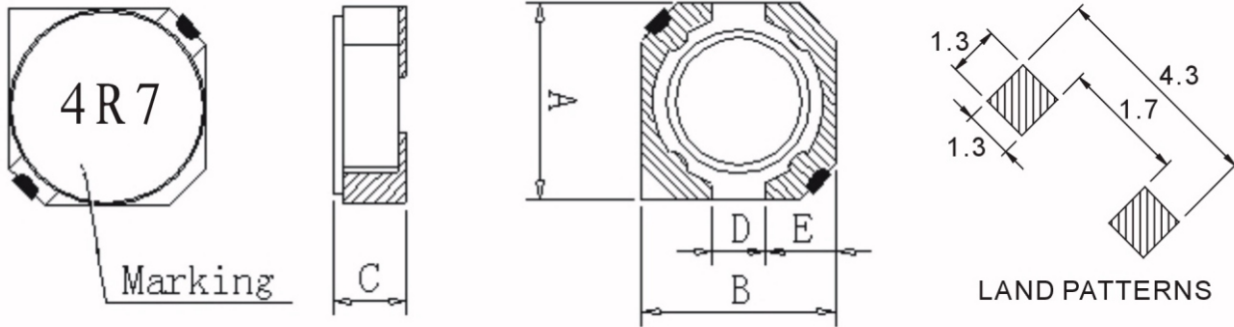


SPECIFIC ATION FOR APPROVAL

CUSTOMER	3252	CUSTOMER No.		REF No.	2964	PAGE
ITEM	SMD POWER INDUCTOR			S1010072964		1/4
DESCRIPTION	SPD2D18-4R7	ISSUE DATE	2010-10-7	VERSION	A/0	

I、 DIMENSION (UNIT:mm)



A	B	C	D	E
3.2Max	3.2 Max	2.5 Max	1.0±0.2	1.0±0.2

II、 PRODUCT IDENTIFICATION

SPD 2D18 4R7 - N - B/T/Reel
 1 2 3 4 5

- | | |
|--|--------------------|
| 1. Product type: SPD Series | 6. DCR: 0.078Ω Max |
| 2. Dimension: Diameter×Thickness | 7. IDC: 0.63A Max |
| 3. Inductance value: 4R7 for 4.7 μH | |
| 4. Inductance tolerance: N=±30% | |
| 5. Packaging Style B: In Bulk T/R: Carrier tape reel | |

III、 SCHEMATIC:

