

Self Lead SMD POWER INDUCTOR

XPW-TTB5019 TYPE

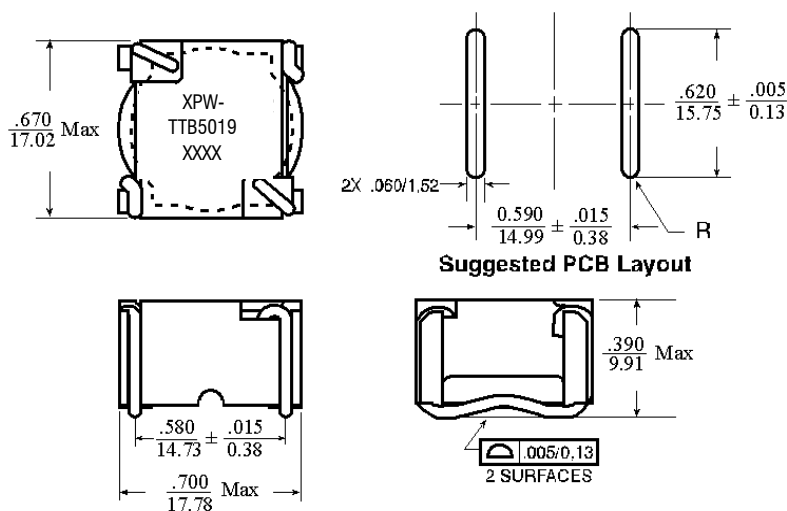
Feature

- .Materials meet UL94V 0 rating
- .Frequency range : up to 1MHz
- .Current Rating :up to 23.8A DC
- .Operating temperature -40 °C to +130°C
- .Cross reference to Pulse PE-53614NL

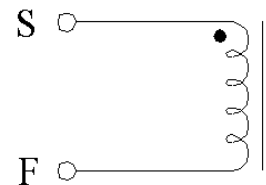
Electronics Specification(25 °C)

1. OCL @10KHz, 0.1V:
1950uH ±25%
2. DC Resistance@20°C:
1700 mOhms Max(**1445mOhms Typ.**)
- 3.Inductance(Ls)@10KHz,0.1V, 0.71A DC:
1070uH Min

Mechanical (unit:mm/inch)



Schematic



Packaging Informations

