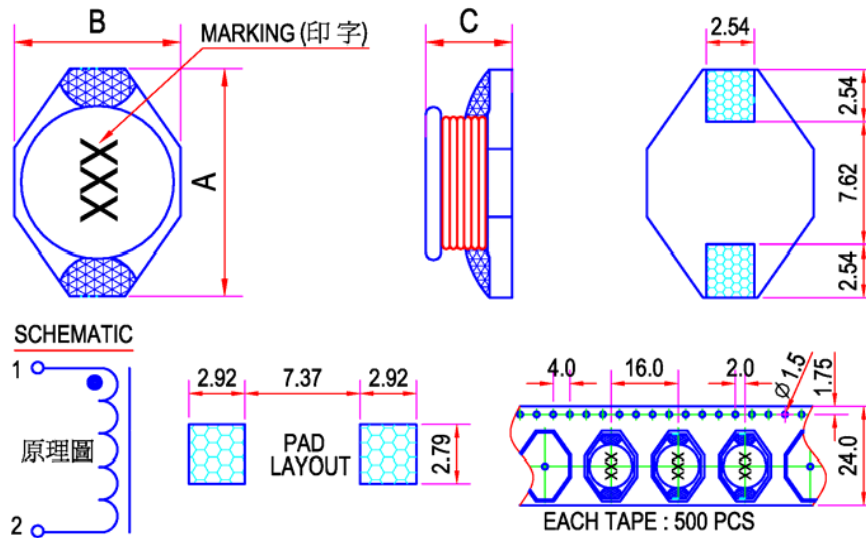


## POWER INDUCTOR

XWP-SMTDR0804-101M

Page : 1/2

### MECHANICAL DIMENSIONS



Item項目	Spec.(規格mm)	Typ.(參考值)	Item項目	Spec.(規格mm)	Typ.(參考值)
A	12.95 MAX	12.83	F		
B	9.40 MAX	9.34	G		
C	5.21 MAX	5.06	H		
D			I		
E			J		

## POWER INDUCTOR

### XWP-SMTDR0804-101M ELECTRICAL CHARACTERISTICS

Page : 2/2

Item (項目)	Specifications (規格)	Typ. (參考值)	Test equipments (測試設備) :
L	100uH ± 20%	104.1uH	HP4284A PRECISION LCR METER
L Load	(+1.2A) L DROP 10% REF	101.3uH	HP4284A WITH HP42841A CURRENT SOURCE
Test Freq.	@100kHz 0.1V		HP4284A PRECISION LCR METER
DCR	0.28OHM MAX	0.266OHM	CHENHWA 502 OHM METER
SRF	9.0 MHz REF	6.31MHz	AGILENT E4991A RF IMPEDANCE ANALYZER
I sat.	1.2A		HP4284A WITH HP42841A CURRENT SOURCE
I rms.	1.3A		HP4284A WITH HP42841A CURRENT SOURCE
Turns	49.5T REF		
Ope.Temp.	-40 TO 105 °C		HC-D3M TEMP. & HUMIDITY CHAMBER
Stor.Temp.	-40 TO 105 °C		HC-D3M TEMP. & HUMIDITY CHAMBER