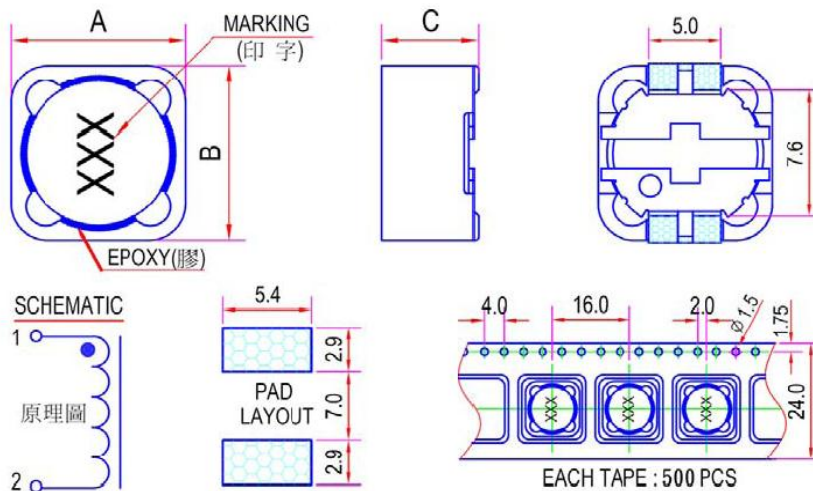


## SMT Power Inductor XWP Series

XWP-SMTDRRI125-220M-3A

Page : 1/2

1. MECHANICAL DIMENSIONS (外形尺寸): DRAW NO.: SMTDRRI125-N



Item項目	Spec.(規格mm)	Typ.(參考值)	Item項目	Spec.(規格mm)	Typ.(參考值)
A	12.0+0.3	12.13	F		
B	12.0+0.3	12.11	G		
C	6.0 MAX	5.76	H		
D			I		
E			J		

2. NOTES (備注, 包括印字及起始同相端等特別要求):

2.1 Marking (印字): "220"

CUSTOMER APPROVED (客戶確認)	APPROVED(確認)	CHECKED(檢查)	DRAWN(制圖)
			

ISSUED DATE(出版日期): 2003/03/11 PRINT DATE(出圖日期): 2011/09/06 REV(版次):XB

## SMT Power Inductor XWP Series

**XWP-SMTDRRI125-220M-3A**

Page : 2/2

### 3. ELECTRICAL CHARACTERISTICS (電特性要求) :

Item (項目)	Specifications (規格)	Typ.(參考值)	Test equipments (測試設備) :
Stor.Temp.	22uH + 20%	21.6uH	HP4284A PRECISION LCR METER
L Load	+3A L DROP 25% MAX	20.9uH	HP4284A WITH HP42841A CURRENT SOURCE
Test Freq.	@1kHz 0.25V		HP4284A PRECISION LCR METER
DCR	43 mΩ MAX	35.2mΩ	CHENHWA 502 OHM METER
I sat	3A MAX		HP4284A WITH HP42841A CURRENT SOURCE
Turn	16.5T (REF)		
Ope.Temp.	-40 TO 80°C		HC-D3M TEMP. & HUMIDITY CHAMBER

### ELECTRICAL NOTES (電特性備注欄) :

APPROVED(確認)	CHECKED(檢查)	DRAWN(制圖)
		

ISSUED DATE(出版日期): 2003/03/11 PRINT DATE(出圖日期): 2011/09/06 REV(版次):XB