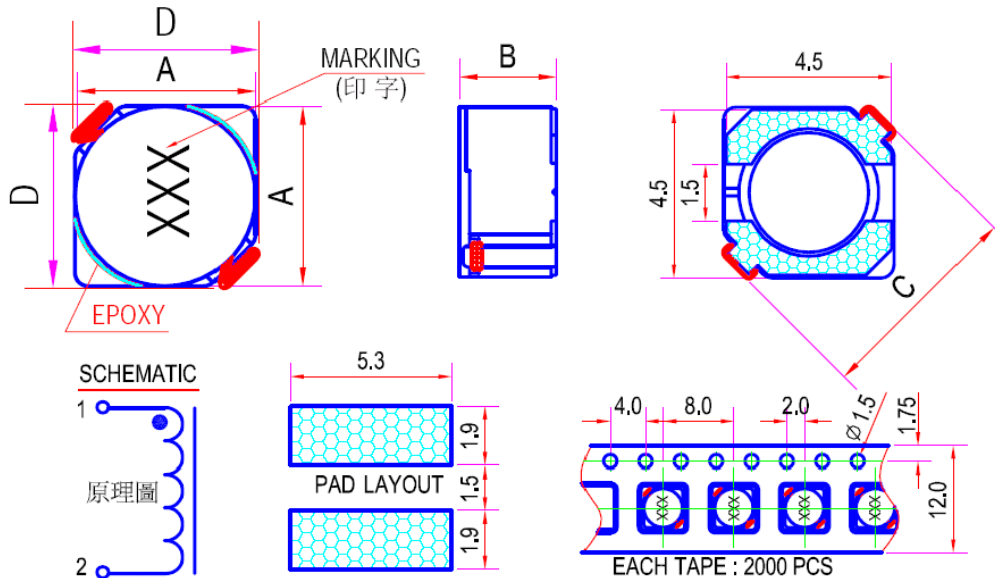


POWER INDUCTOR

XWP-SMTRRI4D28-D

Page : 1/2

MECHANICAL DIMENSIONS



Item項目	Spec.(規格mm)	Typ.(參考值)	Item項目	Spec.(規格mm)	Typ.(參考值)
A	4.7 + 0.3	4.88	F		
B	3.0 MAX	2.83	G		
C	6.96 MAX	5.86	H		
D	5.3 MAX	5.10	I		
E			J		

POWER INDUCTOR

XWP-SMTRRI4D28-D

Page : 2/2

ELECTRICAL CHARACTERISTICS

Item (項目)	Specifications (規格)	Typ.(參考值)	Test equipments (測試設備) :
L	10uH + 20%	10.53uH	HP4284A PRECISION LCR METER
L Load	+1.0A:L DROP 35% MAX	10.02uH	HP4284A WITH HP42841A CURRENT SOURCE
Test Freq.	@100kHz 0.1V		HP4284A PRECISION LCR METER
DCR	128.3mOHM MAX	119mOHM	CHENHWA 502 OHM METER
R.Current	1.0A MAX		HP4284A WITH HP42841A CURRENT SOURCE
Turns	16.5Ts (REF)		
Ope.Temp.	-30 TO 105°C		HC-D3M TEMP. & HUMIDITY CHAMBER
Stor.Temp.	-30 TO 105°C		HC-D3M TEMP. & HUMIDITY CHAMBER