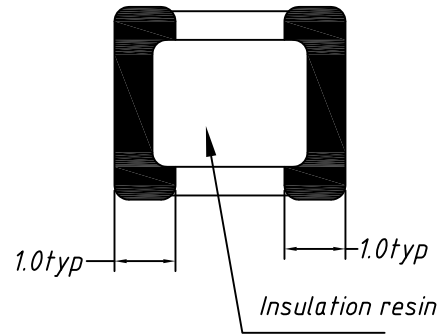
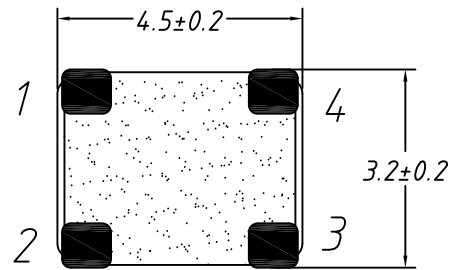
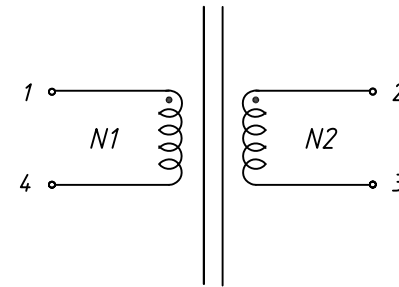


Mechanical Dimensions : (mm)



Coil structure and schematic



• Polarity

Electrical Specifications:

Common-Mode Impedance: 600 ohms MIN, at 100MHz.

DC resistance: 100mOhm Max

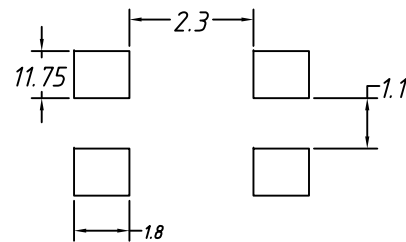
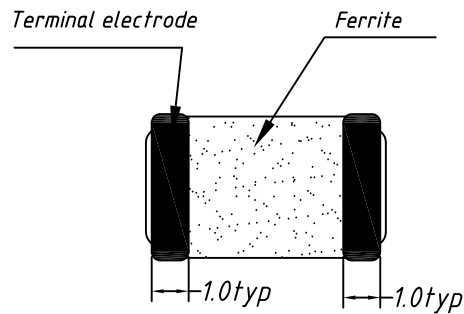
Rated voltage $E_{dc}(V)$: 50 V Max

Insulation resistance: 10 MOhm Min

Rated Current: 1.0A max.

Operating Temperature range: $-40^{\circ}C$ to $+125^{\circ}C$.

Weight: approximate 0.35g.



Note : Temp 20°C 48% RH. RoHS compliant.

PROPRIETARY

Document is the property of Xmultiple Inc & is not allow to be duplicated without authorization



Model:
SMD power Transformer

Customer P/N:
ACM4532-801-2P

Xmultiple P/N:
XWP-CM4532-601

DOCUMENT NO. /Rev.:
120908004/00

Unless Otherwise Specified

TOLERANCES: .X : ±0.50

.XX : ±0.25

Dimensions in mm

DWN .

Yang Yi

CHK .

Toby Du

APP .

Louis Lin

DATE:

Sep./08/2012