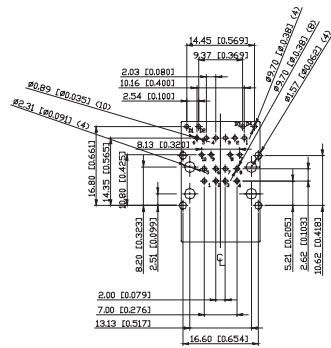
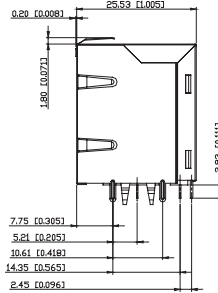
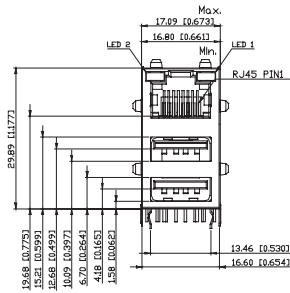
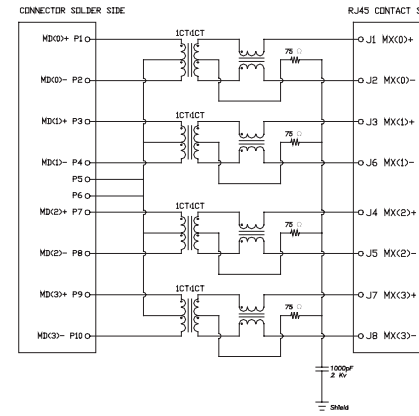


Mechanical Type: RJ45 over USB Dual A Type, K6 Series

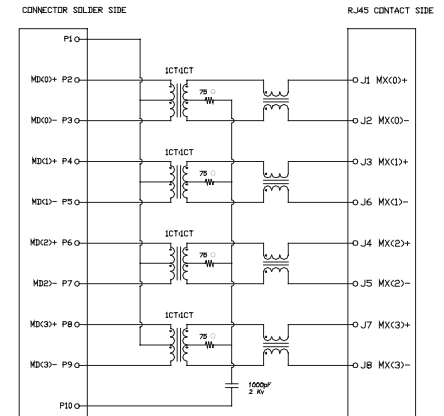


SUGGESTED PCB LAYOUT (TOP VIEW)

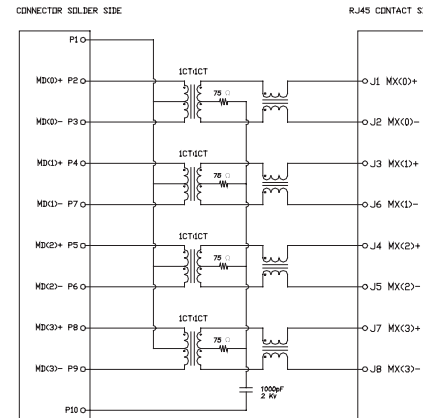
The above dimensions are for references only and are not to be used for design work. Please contact our sales people for the specification drawing for your application.



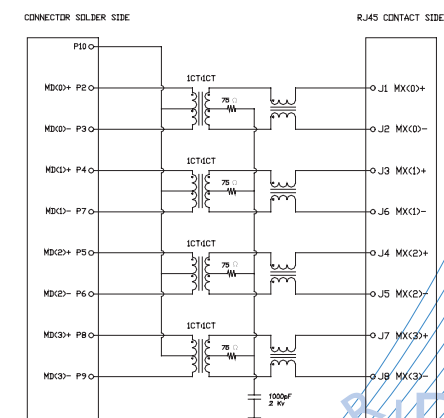
H11



H32

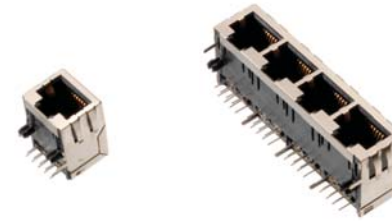
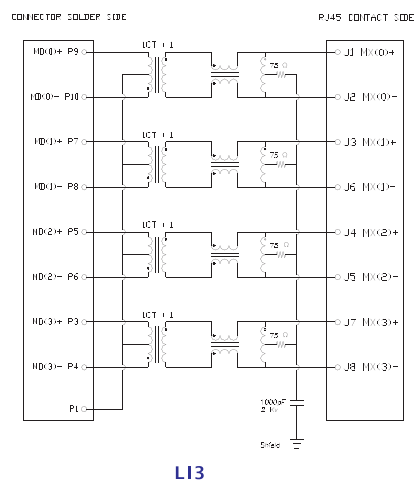
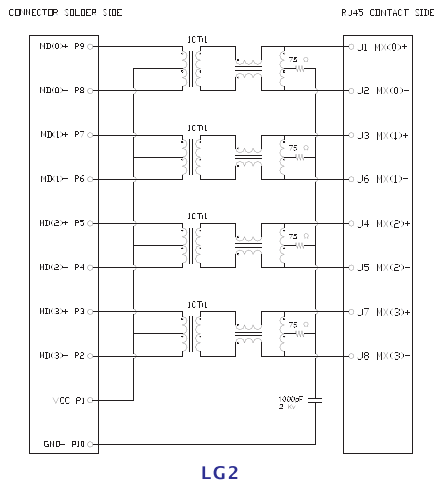
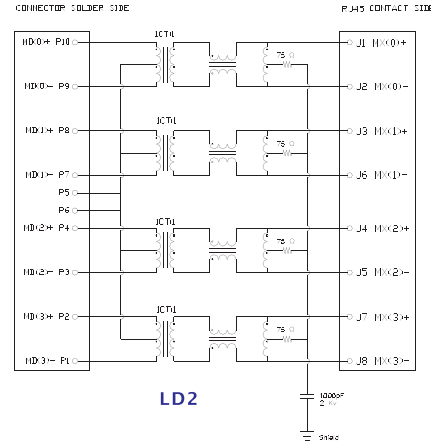
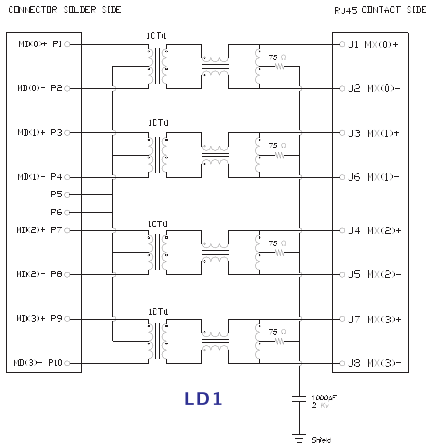


H91



H92

The above dimensions are for references only and are not to be used for design work. Please contact our sales people for the specification drawing for your application.



Performance Specifications	
Materials and Finish	
Housing	Thermoplastic UL 94V-0, Color Black
Contacts	Phosphor bronze plated with hard gold(optional) and Tin in solder area
Shielding	SUS or Brass Nickel plating
Operating Temperature	0C~70C
Storage Temperature	-40C~85C
Mechanical Characteristics	
Durability	500 Mating Cycles
Mating Force	5 Pounds Max.
Unmating Force	5 Pounds Max.
Electrical Characteristics	
Current Rating	1.5 A Max.
Voltage Rating	150 VAC Max.
Insulation Resistance	500 MΩ Min.
Dielectric Withstanding Voltage	AC 1KVrms at 60Hz, 1 minute between adjacent contacts
Termination Resistance	40mΩ Max. Initial 50mΩ Max. Final

W/Integrated+10/100 or Gigabit LAN Magnetics	
Features and Benefits	
Tab down RJ45 with internal LAN magnetics	
Suitable for CAT5 & 6 Fast Ethernet Cable or better UTP	
Internal magnetics are 100% electrically tested for HI-POT and functionality	
Electrical and Performance Summary	
Internal magnetics options available	
Meet or exceed IEEE 802.3 and IEEE802.3ab standard	
350 μH minimum OCL with 8mA bias current	
High performance for maximum EMI suppression	
Minimum 1500Vrms isolation per IEEE 802.3 requirements	
Options:1, 2 and 4 ports	