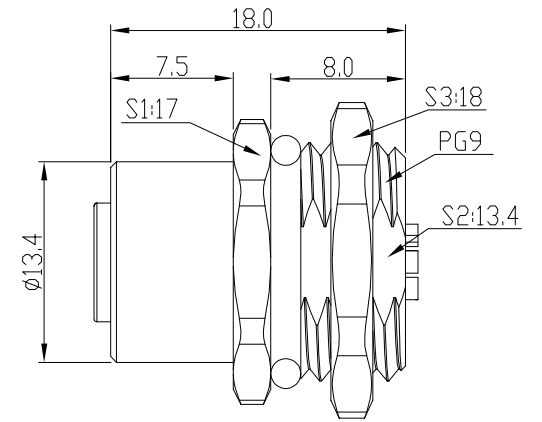
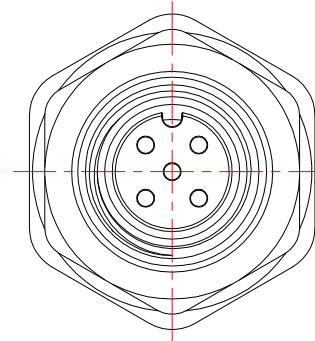


ECN	REV	DESCRIPTION	DATE	APPROVED

### 1. 针数/Pin Qty(I)

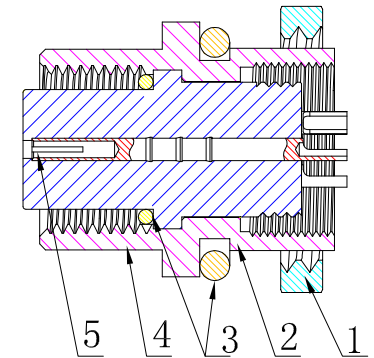
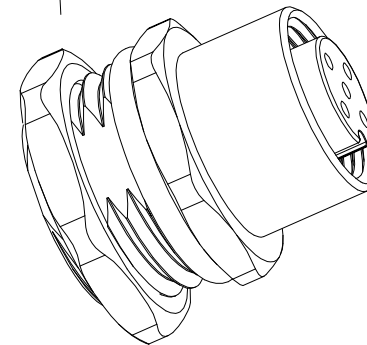
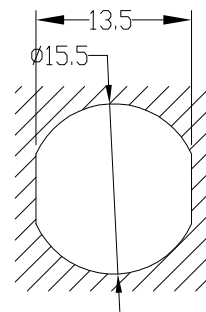
系列/Series	303	304	305	308	312
孔位排列/Pin Number					
适配线缆/Conductor size	19AWG	19AWG	19AWG	21AWG	23AWG
导体直径/Pin size	1.0mm	1.0mm	1.0mm	0.8mm	0.6mm
额定电流/Rated current	5A	5A	5A	3A	1A



### 2. 绝缘体型号/Insulator Type(II)

Type	A	B	D
型号			

### 5. 面板開孔尺寸/Hole Size



### 3. 编码原则/Part Number

固定式插座/Fixed socket M12E 305 AF L

主型号/Type ————  
 针数/Pin Number(I) ————

焊接式/Sold Type  
 绝缘体型号  
 Insulator type(II)

### 4. 技术特性/Technical Characteristics

- 寿命/Durability: >1000 mate/unmate cycles
- 振动/Vibration: 10-2000Hz, 10g
- 冲击/Shock: 50g, 6ms
- 拉力/Pull Force: 10N Max.
- 耐压/Withstand Voltage: 300V AC, 60S
- 温度等级/Rated Temperature: -40°C, +120°C
- 盐雾/Corrosion Resistance: Salt spray test, >48h
- 防水等级/Waterproof: IP66

5	母针芯/PIN: 磷铜镀金/Phosphor copper,G/F
4	外壳/Outer Shell: 黄铜镀镍/Brass,Nickel plated
3	密封圈/O-RING: Rubber
2	绝缘体/Insulator: PBT BLACK
1	六角螺母/Hexagonal nut: 黄铜镀镍/Brass,Nickel plated
序号 ITEM	名称 & 规格/Name & Description

SHEET	DIMENSION	TOLERANCES ARE:	
		DECIMALES	ANGLES
1 OF 1	MM	$\begin{matrix} X \\ \pm \end{matrix}$	$\begin{matrix} \text{°} \\ \pm \end{matrix}$
DWG NO.	REV.	APPROVALS	DATE
M12E304AFL	A0	APPROVED:	
		CHECKED:	
		CHECKED:	
		DRAWN:	

TITLE:	固定式插座/Fixed socket	
PART NO.	XM12-E304AFL	REV. *

**Xmultiple**