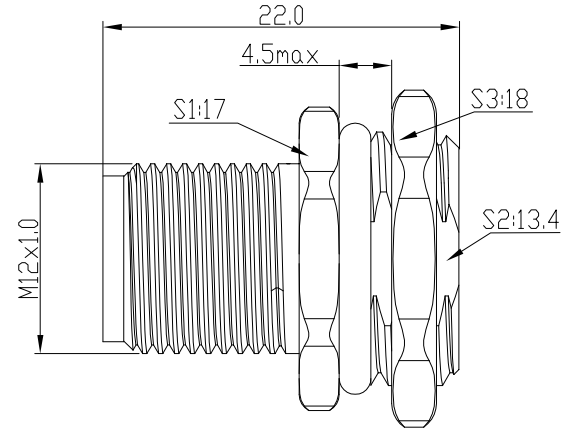
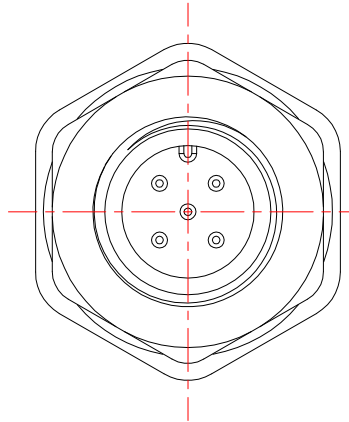


ECN	REV	DESCRIPTION	DATE	APPROVED

1. 针数/Pin Qty(I)

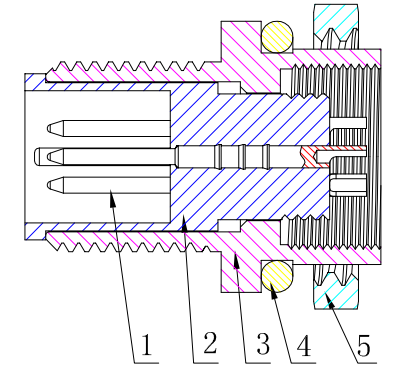
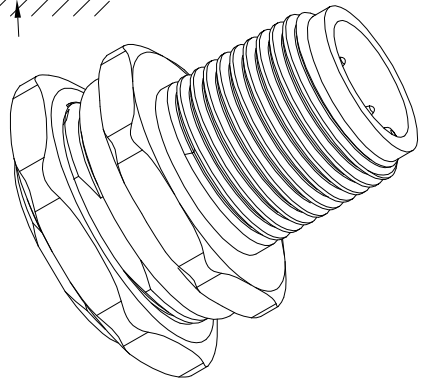
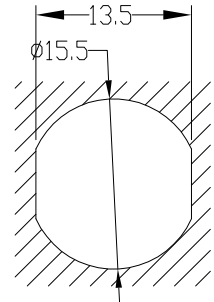
系列/Series	303	304	305	308	312
孔位排列/Pin Number					
适配线缆/Conductor size	19AWG	19AWG	19AWG	21AWG	23AWG
导体直径/Pin size	1.0mm	1.0mm	1.0mm	0.8mm	0.6mm
额定电流/Rated current	5A	5A	5A	3A	1A



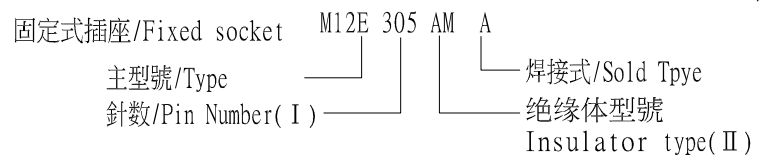
2. 绝缘体型号/Insulator Type(II)

Type	A	B	D
型号			

5. 面板開孔尺寸/Hole Size



3. 编码原则/Part Number



4. 技术特性/Technical Characteristics

1. 寿命/Durability: >1000 mate/unmate cycles
2. 振动/Vibration: 10-2000Hz, 10g
3. 冲击/Shock: 50g, 6ms
4. 拉力/Pull Force: 10N Max.
5. 耐压/Withstand Voltage: 300V AC, 60S
6. 温度等级/Rated Temperature: -40°C, +120°C
7. 盐雾/Corrosion Resistance: Salt spray test >48h
8. 防水等级/Waterproof: IP66

5	六角螺母/Hexagonal nut: 黄铜镀镍/Brass, Nickel plated
4	密封圈/O-RING: Rubber
3	外壳/Outer Shell: 黄铜镀镍/Brass, Nickel plated
2	绝缘体/Insulator: PBT BLACK
1	公针芯/PIN: 黄铜镀金/Brass copper, G/F
序号 ITEM	名称 & 规格/Name & Description

	SCALE	TOLERANCES ARE:	
	F	DECIMALES	ANGLES
SHEET	DIMENSION	APPROVALS	DATE
1 OF 1	MM	APPROVED:	
DWG NO.	REV.	CHECKED:	
M12E304AMA	A0	CHECKED:	
		DRAWN:	

TITLE:	固定式插座/Fixed socket	
PART NO.	XM12-E304AMA	REV. *

Xmultiple