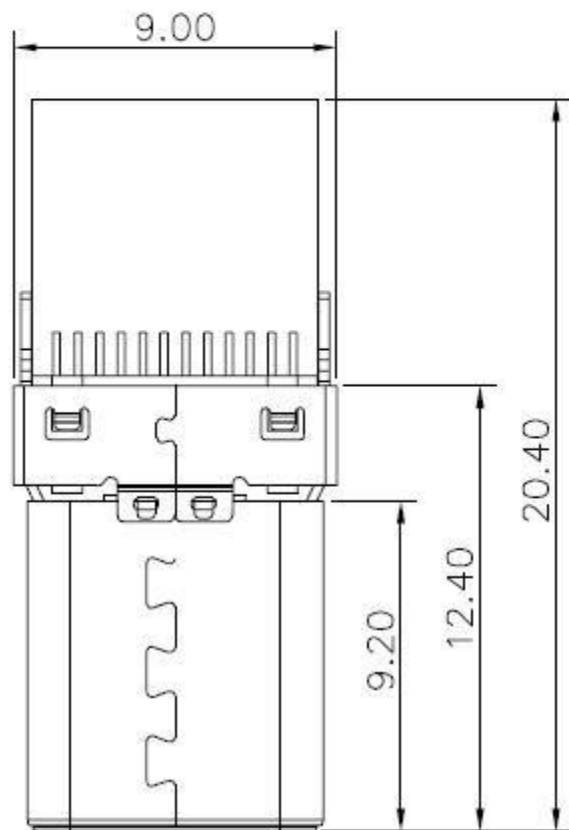
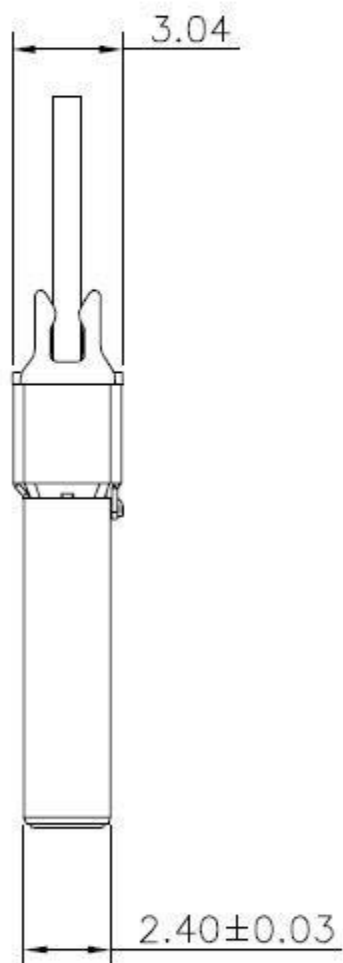
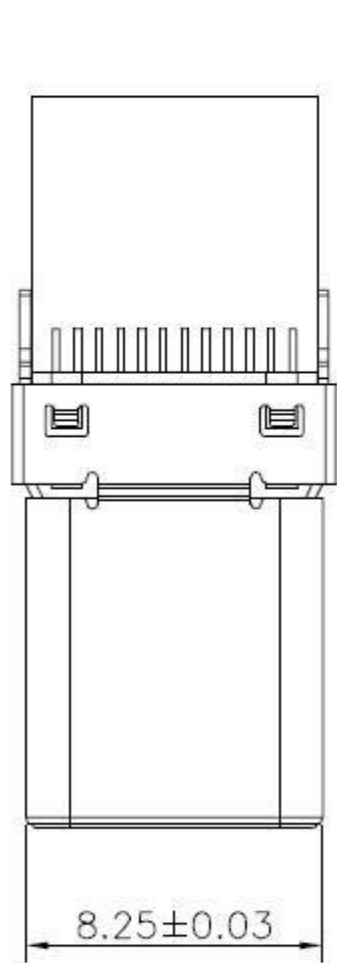
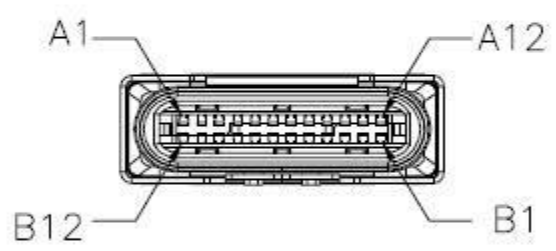


REV.	ZONE	LTR	DESCRIPTION	DATE	REVISER	APPD.
0.1			NEW DESIGN	2014/07/19	xiaoli	Bill



A		B	
1	GND	12	GND
2	TX+	11	RX-
3	TX-	10	RX+
4	VBUS	9	PWR
5	RUF	8	CC
6	D-	7	D+
7	D+	6	D-
8	CC	5	RFU
9	VBUS	4	PWR
10	RX+	3	TX+
11	RX-	2	TX-
12	GND	1	GND



MATERIAL:		TOLERANCE UNLESS SPECIFIED:	.000 ± 0.10 .00 ± 0.20 .0 ± 0.30 ± 0.50 ANGLE ± 2°
FINISH:		DRAWN:	xiaoli 2014/07/31
		DESIGNER:	
		CHECKED:	
		APPROVED:	

Xmultiple Technologies, Inc.	
	SCALE: 1:1
UNIT: mm	
NAME: USB3.1 TYPE C PLUG	
DRAWING NO.: GT-USB-061	
SHEET: 1/1	REV.: 0.1