

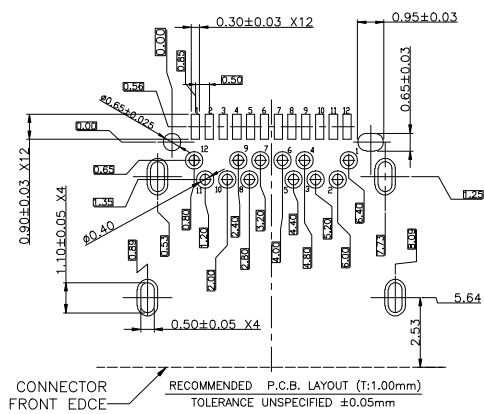
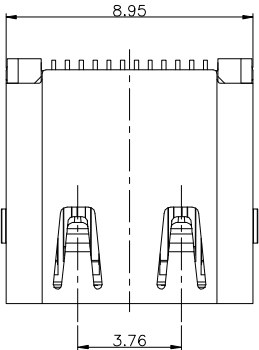
RoHS compliant

PRELIMINARY

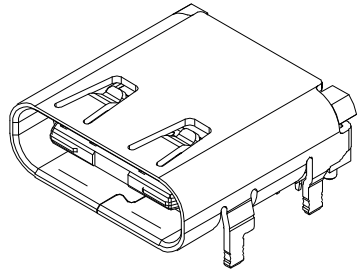
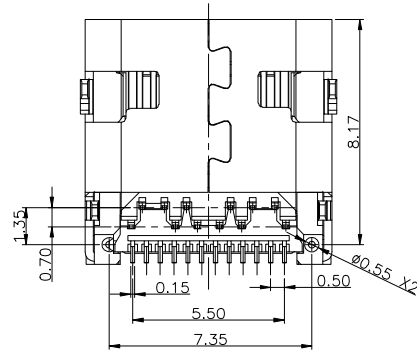
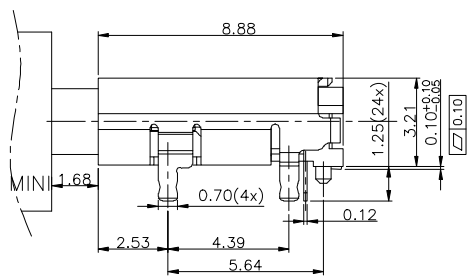
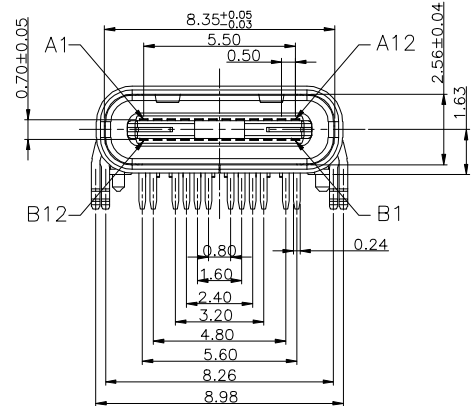
REV.	ZONE	LTR	DESCRIPTION	DATE	REVISER	APPD.
X0.1			NEW DESIGN	2014/08/11	xiaoli	Bill

A  
B  
C  
D  
E

A  
B  
C  
D  
E



CONNECTOR FRONT EDGE  
RECOMMENDED P.C.B. LAYOUT (T:1.00mm)  
TOLERANCE UNSPECIFIED ±0.05mm



**ORDERING INFORMATION**

3C U 024 S - \* N 1 00 B R \* 0\*  
(1) (2) (3) (4) (5) (6) (7) (8) (9) (10) (11)

- SERIES NO.  
3C: USB TYPE C CONNECTOR
- TAIL CONSTRUCTION TYPE  
U: SMT+H/T TYPE
- NUMBER OF PIN  
024: 24 POSITIONS
- CONTACT & CONNECTION TYPES:  
S: SOCKET
- TERMINAL PLATING:  
0: CONTACT AREA:G/F, SOLDER AREA:Matte Sn .UNDER NICKEL  
2: CONTACT AREA:15u" Au,SOLDER AREA:Matte Sn .UNDER NICKEL  
3: CONTACT AREA:30u" Au,SOLDER AREA:Matte Sn .UNDER NICKEL
- SHELL PLATING  
N: PLATING NI
- ENVIRONMENTAL.  
1: ROHS  
8: COPLANARITY.  
B: COPLANARITY LEVEL OF CONTROL
- PACKING.  
R: TAPE REEL PACKING  
T: TRAY PACKING
- COVER.  
8: WITHOUT COVER
- SEQUENCE NO.  
01: H=1.63mm

	A		B
1	GND	12	GND
2	TX+	11	RX-
3	TX-	10	RX+
4	VBUS	9	PWR
5	RUF	8	CC
6	D-	7	D+
7	D+	6	D-
8	CC	5	RFU
9	VBUS	4	PWR
10	RX+	3	TX+
11	RX-	2	TX-
12	GND	1	GND

MATERIAL: 	TOLERANCE UNLESS SPECIFIED: .000 ± 0.10 .00 ± 0.20 .0 ± 0.30 ± 0.50 ANGLE ± 2°
FINISH: 	DRAWN: ChenXiaoli 2014/08/11 DESIGNER: ChenXiaoli 2014/08/11 CHECKED: Lujun 2014.08.11 APPROVED: Bill 2014.08.11

**Xmultiple Technologies Inc.**

SCALE: 1:1 UNIT: mm

NAME: USB TYPE C FEMALE R/A SMT TYPE SHEET: 1/1

DRAWING NO.: R-xxxxx-xx REV.: X0.1