

NOTES:  
 1.MECHANICAL:  
 INSERTION: 5~20N.  
 EXTRACTION: 8~20N.  
 DURABILITY: 10000 CYCLES  
 2.ELECTRICAL:  
 CURRENT: 7A MIN FOR VBUS;  
 0.25A MIN FOR OTHER.  
 VOLTAGE: 250VAC MAX  
 WITHSTANDING VOLTAGE: 100V AC.  
 CONTACT RESISTANCE: 40 mΩ MAX.  
 INSULATION RESISTANCE: 100MΩ MIN.  
 3.ENVIRONMENTAL  
 TEMPERATURE RANGE -55C ~ +85°C

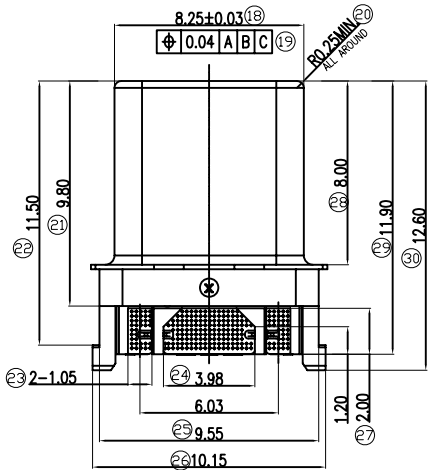
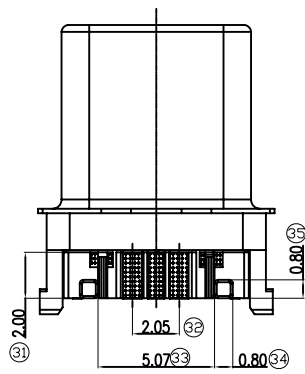
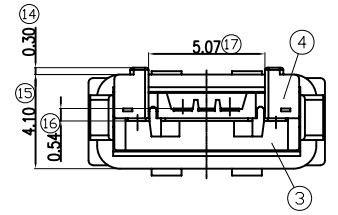
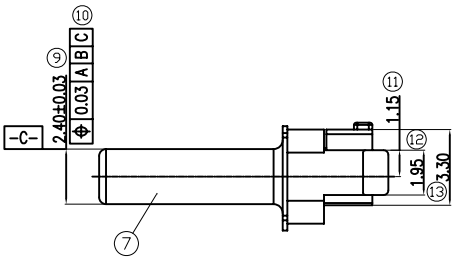
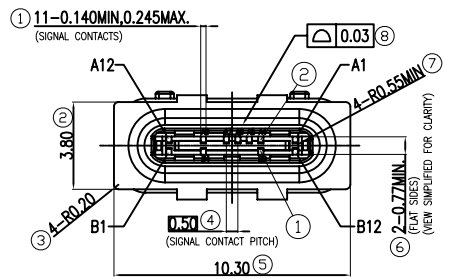
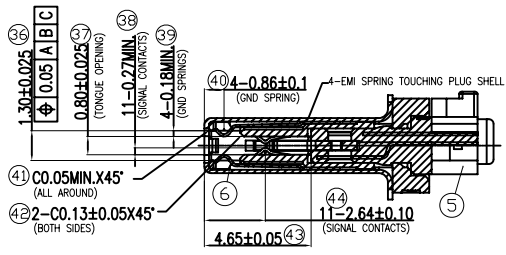
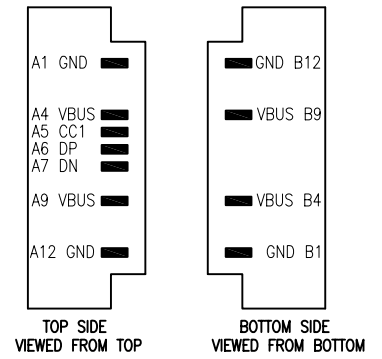


TABLE:

PRODUCT NO.	ITEM	PART NO.	PART NAME	Q'TY	MATERIAL
XUSB-CNH013S130T	1	PS113B6470	4PIN CONTACT	1	NKE388R-SH, Au30u"Min.Ni50~80u".Sn120u"Min.
	2	PS113B6480	7PIN CONTACT	1	NKE388R-SH, Au30u"Min.Ni50~80u".Sn120u"Min.
	3	CNH010S1301	4PIN MOLDING	1	LCP+30%GF, BLACK
	4	CNH011S1301	7PIN MOLDING	1	LCP+30%GF, BLACK
	5	PP101B9750	HOUSING	1	LCP+30%GF, BLACK
	6	PS100B6390	EMI	2	SUS304R-1/2H, NO PLATING
	7	PS208B9390	SHELL	1	SUS304R-1/2H, NICKEL 50U"MIN
	8	PS224B9680	BOTTOM SHELL	1	SUS304R-1/2H, NICKEL 50U"MIN
	9	PS208B9690	TOP SHELL	1	SUS304R-1/2H, NICKEL 50U"MIN

UNITS MM	SCALE 1:1	REV. A0	SHEET 1 OF 1	Xmultiple Technologies, Inc	
DATE 2015-01-24		DR. MO JIN TANG		TITLE USB C TYPE 2.0 PLUG(大电流三件式)	
GENERAL TOLERANCE 0. ±0.35 0.0 ±0.35 0.00 ±0.25 0.° ±4° 0.0° ±3°		CHK.	APPD.	MAT'L SEE TABLE	FINISH SEE TABLE
DWG.NO. DWG-USB CM-003		PART NO. XUSB-CNH013S130T		SIZE A4	