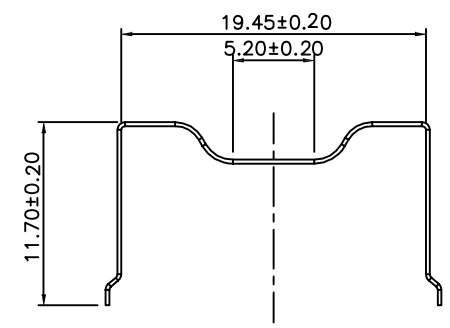
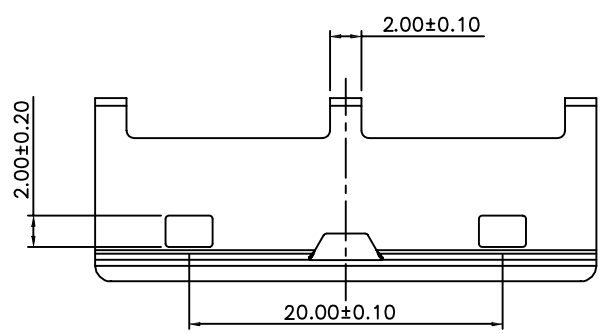
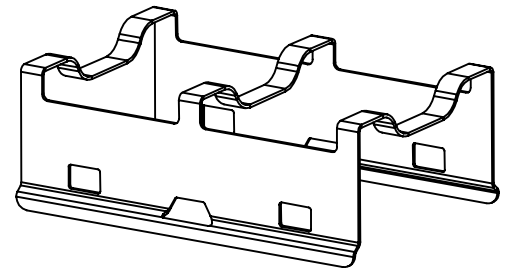
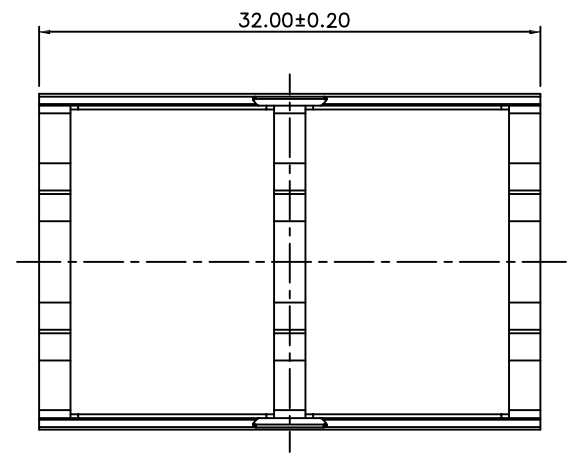


REVISION RECORD				
REV	ECO	DESCRIPTION	DRFT	CHKD



PART NUMBER: XFP001HC-L				
No.	DESCRIPTION	Q'ty	MATERIAL	PLATING
01	XFP HEAT SINK CLIP	1	SUS	

DETACHED LISTS	← MM (INCH) →	DFTO JERRY	DATE 05/15/07
	TOLERANCES EXCEPT AS NOTED	CHKD ANDY	DATE 05/16/07
	MM	MFO	DATE
	.0 ±0.20	APPVL ALANN	DATE 05/18/07
	.00 ±0.15	MATERIAL :	
.000 ±0.075	QT'Y :		
ANGLES ±	FINISH :		
	SCALE :		
THIRD ANGLE PROJECTION	DO NOT SCALE DRAWING		

Xmultiple Technologies Inc.			
TITLE			
XFP CLIP			
DRAWING NO. XFP-001		SIZE A3	REV 0
/PART NO. SEE NOTE		SHEET X OF Y	

8 | 7 | 6 | 5 | 4 | 3 | 2 | 1

H  
G  
F  
E  
D  
C  
B  
A